



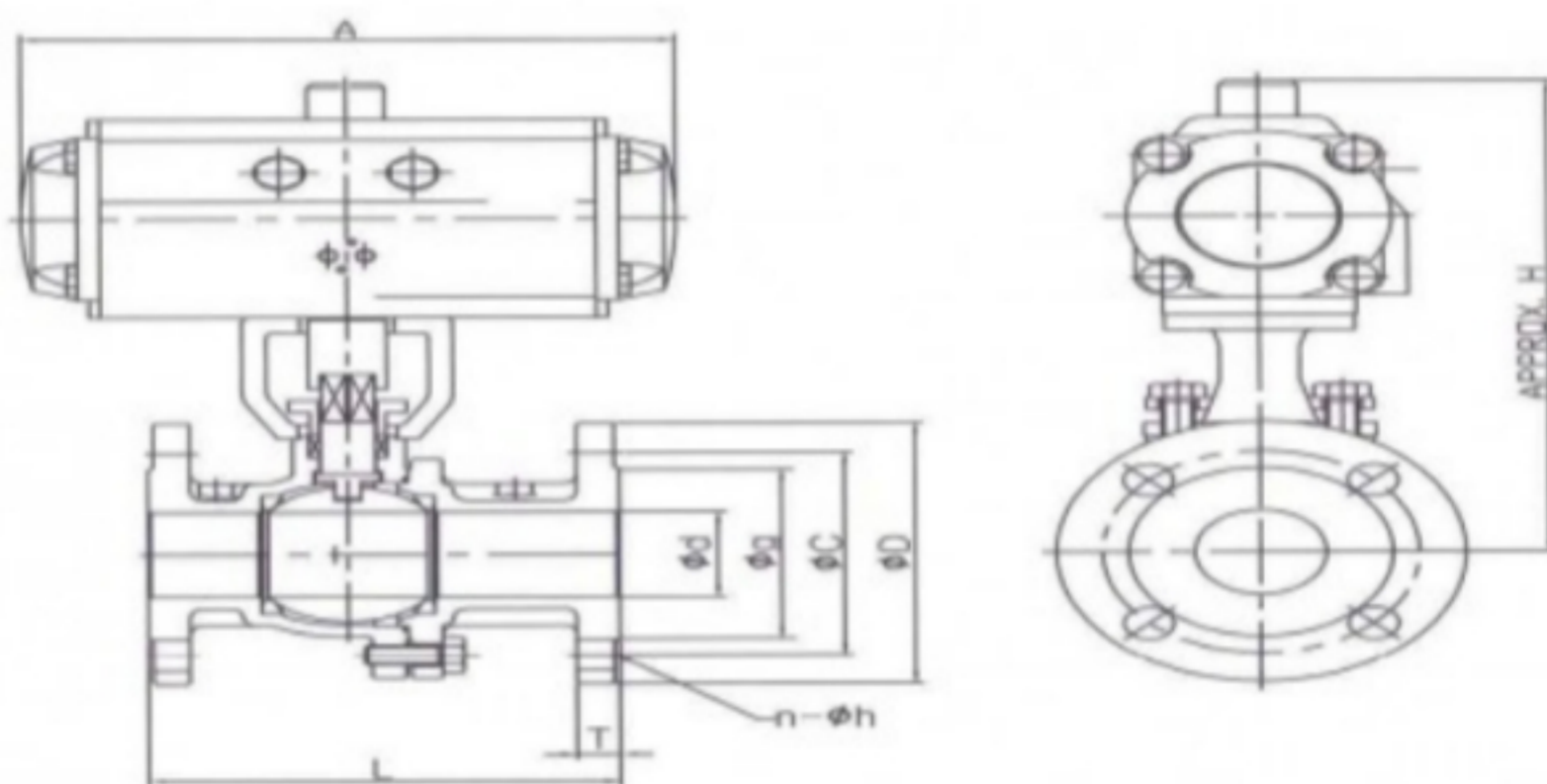
BALL VALVE -DOUBLE & SINGLE ACTING

- * Water distribution pipes
- * Industrial cleaning machines
- * Sterilizers, Boilers
- * Air conditioners, Water filters
- * Medical equipments, Vacuum paking
- * Food & Beverage lines
- * Vacuum distribution pipes

* Specification

Valve Size	15A ~ 200	
Actuator Model	MD-50 ~ MD-210	
Actuator Type	Double Acting / Single Acting(Spring Return)	
Operating Media	Compressed Dry Air	
Operating Pressure	4.5 ~ 8bar	
Operating Pressure	4.5 ~ 8bar	
Rotating Angle	90° ±3°	
Fluid Temperature	-20 ~ 80℃	
Rating	JIS 10K,20K	ANSI 150#,300#,600#
Body material	SCPH2 / SUS304 / SUS316	
Operating Pressure	4.5 ~ 8bar	
Rotating Angle	90° ±3°	
Fluid Temperature	-20 ~ 80℃	
Rating	JIS 10K,20K	ANSI 150#,300#,600#
Body material	SCPH2 / SUS304 / SUS316	
Accessory	Solenoid Valve, Air Set, Limit Switch Box, E/P Positioner	

* Dimension



Model	Size	A	H	L		FLANGE					Remark
				10K	T	d	g	c	D	n-h	
MD-SERIES	15A	146	162	108	12	15	52	70	95	4*15	
MD-SERIES	20A	146	167	117	14	20	58	75	100	4*15	
MD-SERIES	25A	163	175	127	14	25	70	90	125	4*19	
MD-SERIES	32A	163	220	140	16	32	80	100	135	4*19	
MD-SERIES	40A	214	243	165	16	40	85	105	140	4*19	
MD-SERIES	50A	214	250	178	16	50	100	120	155	4*19	
MD-SERIES	65A	252	275	190	18	65	120	140	175	4*19	
MD-SERIES	80A	270	320	203	18	80	130	150	185	8*19	
MD-SERIES	100A	354	352	229	18	100	155	175	210	8*19	
MD-SERIES	125A	418	442	356	20	125	185	210	250	8*23	
MD-SERIES	150A	450	480	364	22	150	215	240	280	8*23	
MD-SERIES	200A	530	550	457	22	200	265	290	330	12*23	