



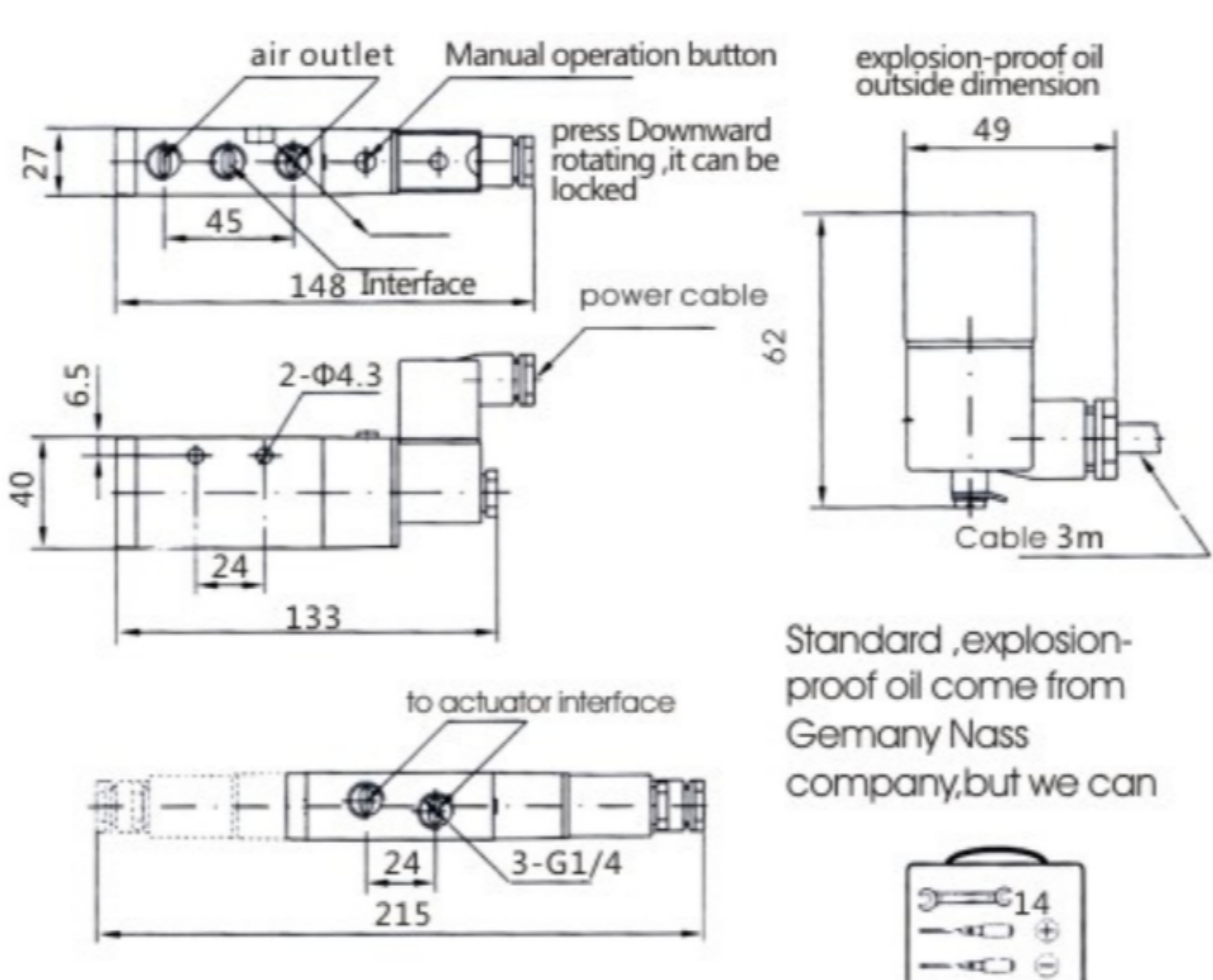
Instructions

Note A, the power cable through the junction box cover an access such as Terminal 2, then after a good cross screwdriver on the terminal box cover 3 1 fasten, fasten the junction box will play a sealed role. Removable to facilitate replacement of the coil 4. Note B, a single electronic control: the need for operation, with the word screwdriver 1 (also on fingers) Promote button 3, the solenoid valve commutation, release automatically reset. For for back lock, reset button when the form of restitution, that is re when the push button lock 3 clockwise 90. The solenoid valveset.

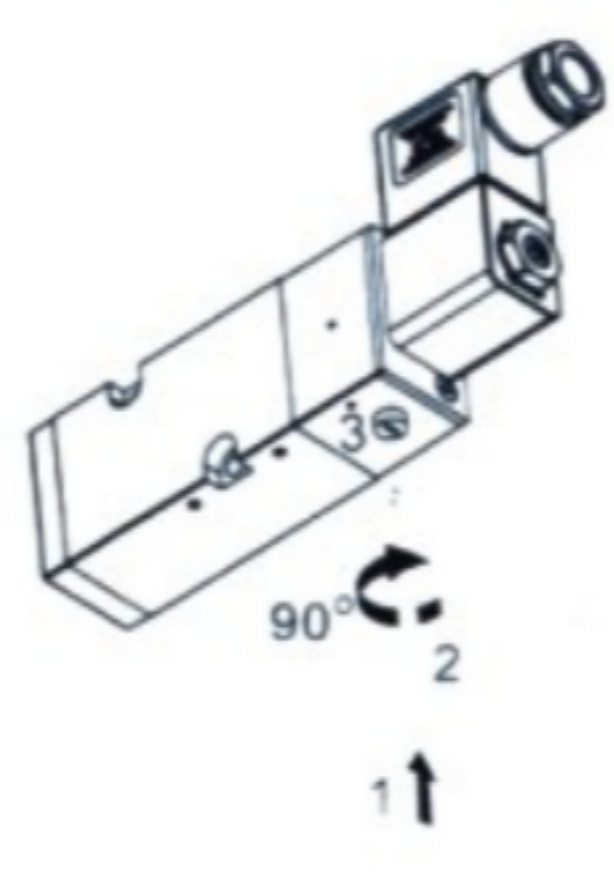
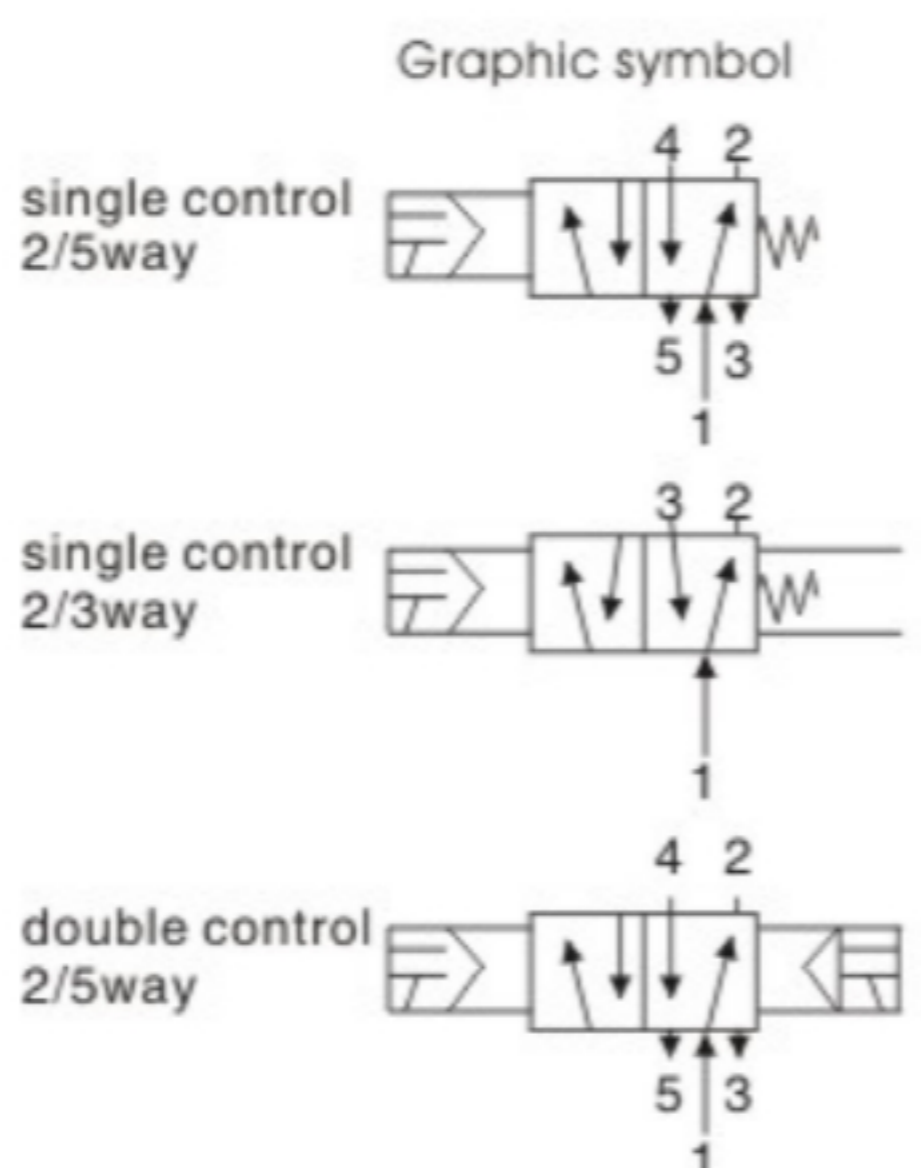
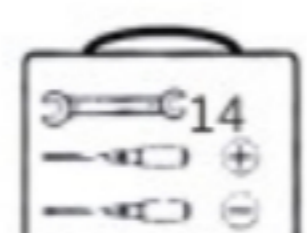
Dual Electronic Control: There are two manual buttons 3, 3 solenoid valve push start button change to promote another button reset: it has memory function, and promote what you can release.

Solenoid Valve Dimensions

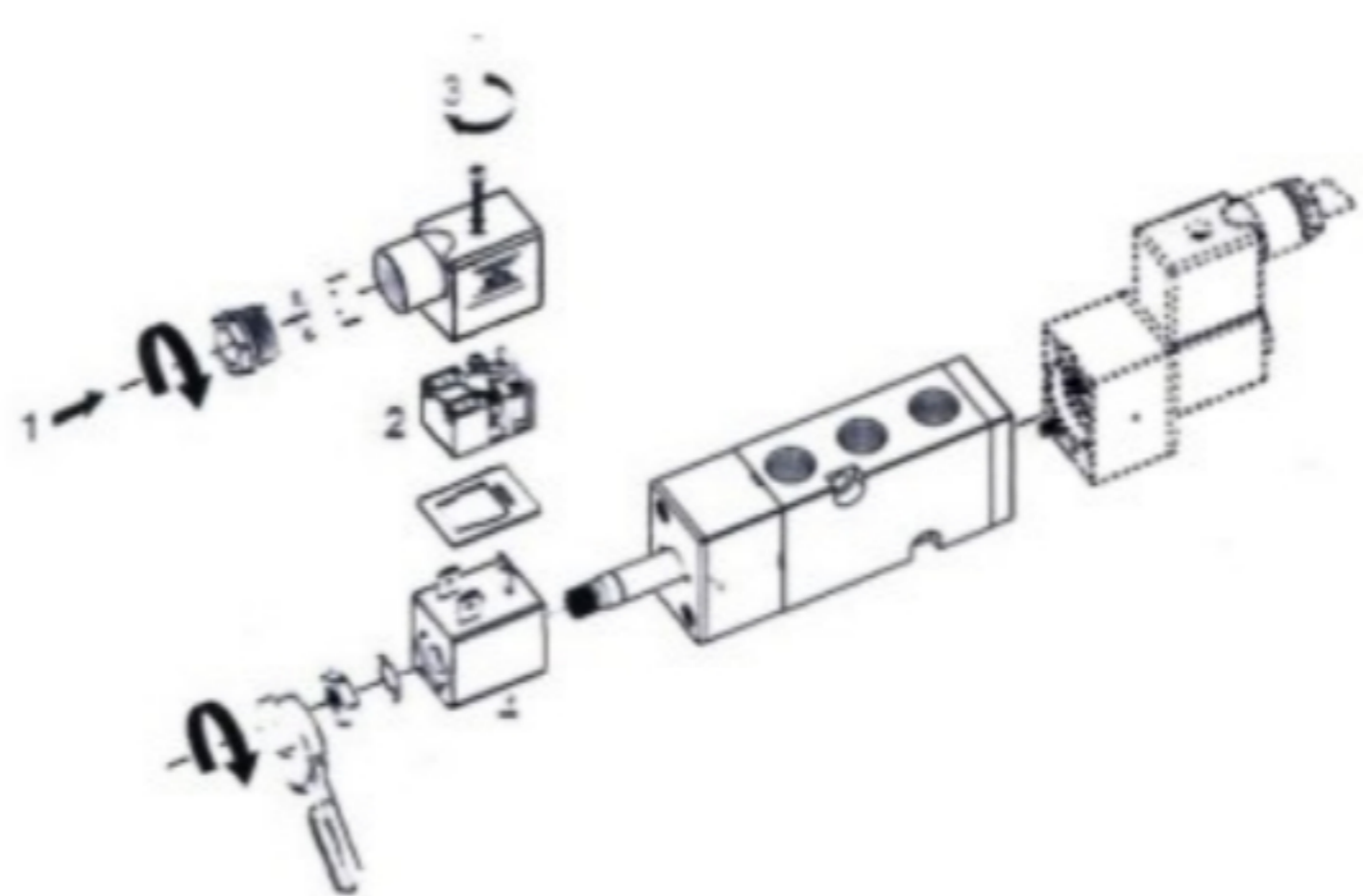
working medium	Air
Interface	air inlet g1/4,air outlet 1/ 4
Effective cross-sectional area (MM2)	35
Lubricating	not required
Working pressure (MPa)	0.15~0.8
Operating temperature° C	0~50
Voltage range	15%
Power consumption	AC220V: 3.9VA.6.0VA.8.5VA; DC24V: 2.5W, 4.8W
Exchange time (S)	0.05
Manually	press the reversing
Basic	Ip65
Explosion-proof	Exm T4



Standard ,explosion-proof oil come from Germany Nass company,but we can



B description



A description