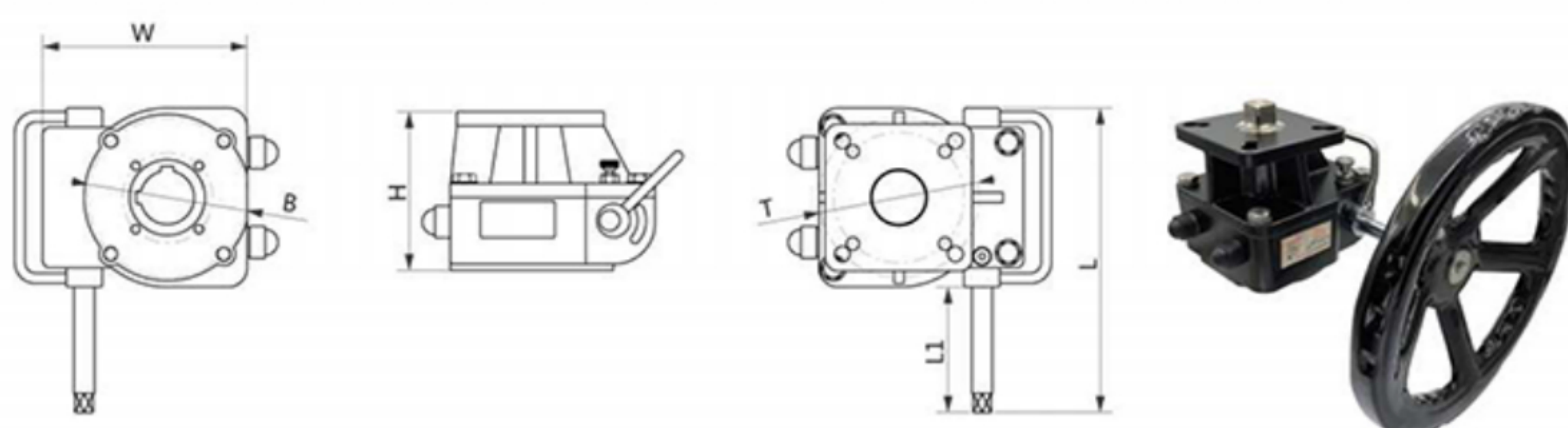


Gear Box

The KDG series declutch override gear box were specially designed used for butterfly valve, ball valve and plug valve together with pneumatic actuators. This device allows for manual operation during installation, system testing and in the event of supply air-failure. The KDG Series mount directly to many of the most popular rack and pinion style actuators on the market, and does not require a bracket between the pneumatic actuator and declutch override. The units come complete with a coupler that connect the pneumatic actuator to the valve. Available in five model sizes to meet valve / actuator torque requirements up to 2,500 Nm.



Dimensions

Unit:mm

Model	KDG018(DG-01)	KDG030(DG-02)	KDG060(DG-03)	KDG120(DG-04)	KDG210(DG-05)	KDG300(DG-06)	KDG380(DG-07)
L	180	220	257	330	370	400	420
W	115	135	160	200	244	282	313
H	105	110	130	165	185	200	200
Handwheel	Φ180	Φ200	Φ280	Φ320	Φ400	Φ500	Φ600

Connection

* PCD 적색원은 OPTION Unit:mm

Model	KDG018(DG-01)	KDG030(DG-02)	KDG060(DG-03)	KDG120(DG-04)	KDG210(DG-05)	KDG300(DG-06)	KDG380(DG-07)
B	F05+F07	F07+F10	F07+F10+F12	F10-F12-F14	F14-F16	F14+F16	F16
T	F05+F07	F07+F10	F10+F12	F10+F12+F14	F14+F16	F16	F16
L1	71	92.3	113	147.8	148	158	171
SHAFT	14 * 14	17 * 17	22 * 22	27 * 27	36 * 36	46 * 46	46 * 46

Torque

Unit:Nm

Model	KDG018(DG-01)	KDG030(DG-02)	KDG060(DG-03)	KDG120(DG-04)	KDG210(DG-05)	KDG300(DG-06)	KDG380(DG-07)
Actuator (DA)	ARC40~75	ARC83~105	ARC125~140	ARC160~190	ARC210~240	ARC270	ARC300
Actuator (SR)	ARC40~75	ARC83~92	ARC105~125	ARC140~160	ARC190~210	ARC240	ARC270
OUTPUT	180	320	680	1200	2100	3000	3800

Weight

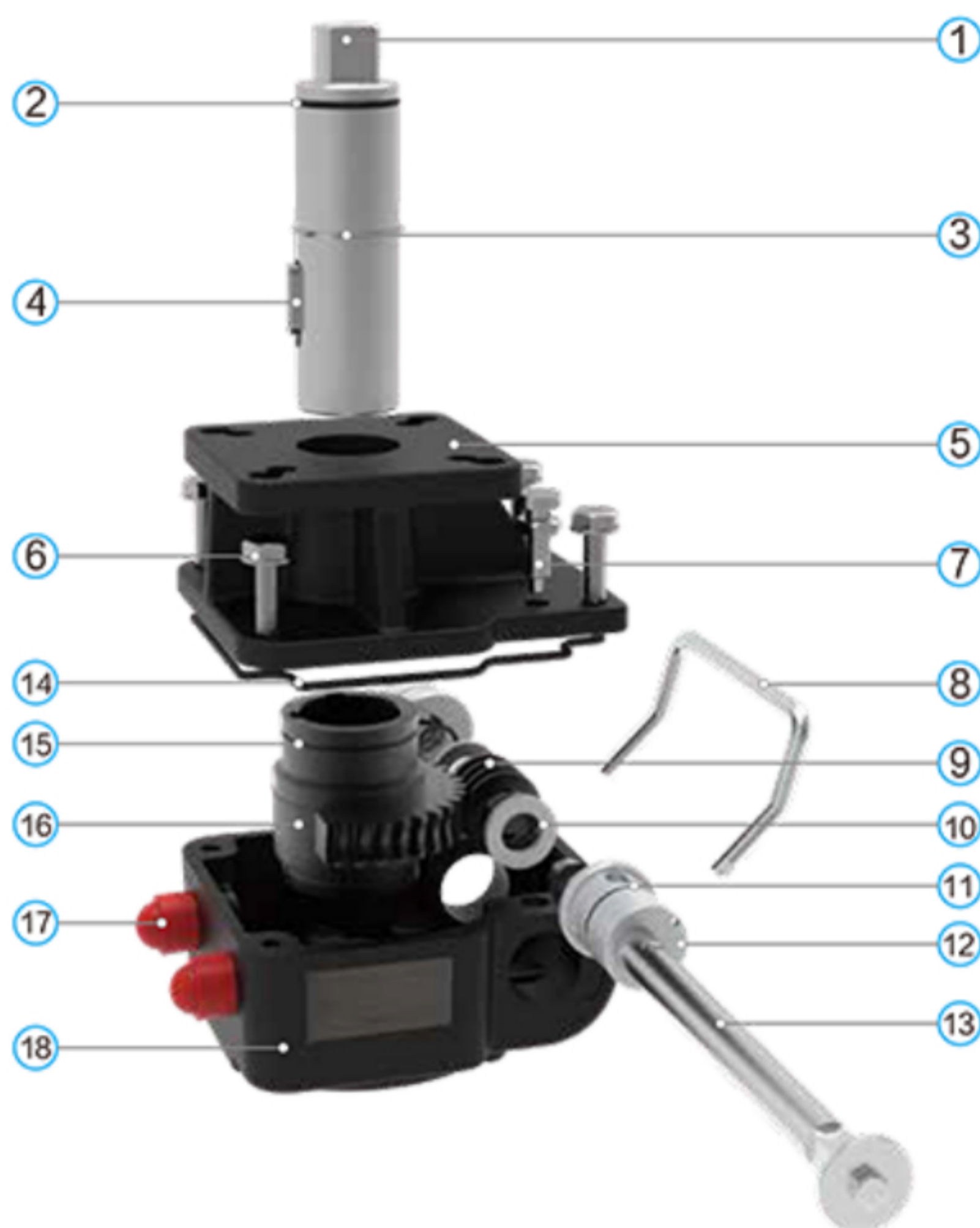
Unit:KG

Model	KDG018(DG-01)	KDG030(DG-02)	KDG060(DG-03)	KDG120(DG-04)	KDG210(DG-05)	KDG300(DG-06)	KDG380(DG-07)
Weight	3	4.5	7	13.7	22	30	38

Parts and Material



Hand Wheel



No.	Name	Material Science	No.	Name	Material Science
1	Drive spindle	Alloy Steel	10	Plane bearing	Alloy steel
2	Seals	Nitrile rubber	11	Seals	Nitrile rubber
3	Circlip	Stainless steel (304)	12	Eccentric bushing	Alloy steel
4	Flat key	Alloy steel	13	Transmission rod	Alloy steel
5	Top cover	Aluminum alloy	14	Sealing Ring	Nitrile rubber
6	Fasteners	Stainless steel (304)	15	Sealing Ring	Nitrile rubber
7	Positioning pins	Alloy steel	16	Turbine	Ductile iron
8	Handle	Stainless steel (304)	17	Adjust screw	Stainless steel (304)
9	Worm gear	Alloy steel	18	Box	Aluminum alloy