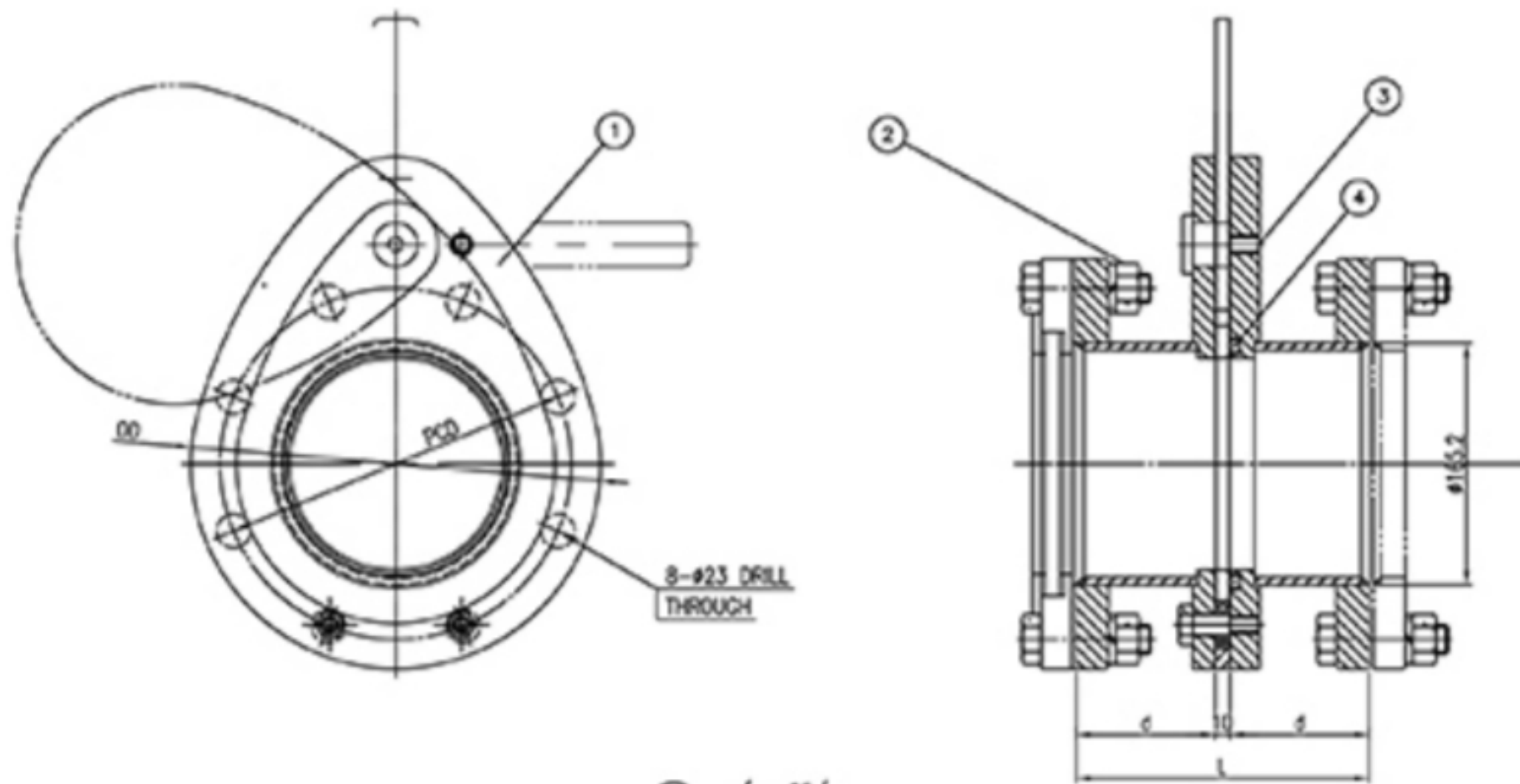


Name: Sight Glass(Window)

REVISION	
NO.	DATE
1	08.05.2020
FOR APPROVAL	
SOM TARE	
REMOVED	CHECKED
C.A. P.K.	A.S. P.K.

REVISION	
NO.	DATE
1	08.05.2020
FOR APPROVAL	
SOM TARE	
REMOVED	CHECKED
C.A. P.K.	A.S. P.K.

Model No. : SG150-10



(A) ✓ (25/)

10K	150	95	200	280	240
Class	NPS	d	L	OD	PCD

4	O-Ring	VITON	1	
3	Pin	SM45C	1	
2	Bolt	A193-B7	1	
1	Body	SS275	2	
NO.	DESCRIPTION	MATERIAL	QTY	REMARK
MFR. MEGATEC		CUSTOMER.		
Title Sight Glass(Window), Flange 10K				
DATE	DRAWN	CHECKED	APPROVED	CWG No. -
				Scale
				Projector