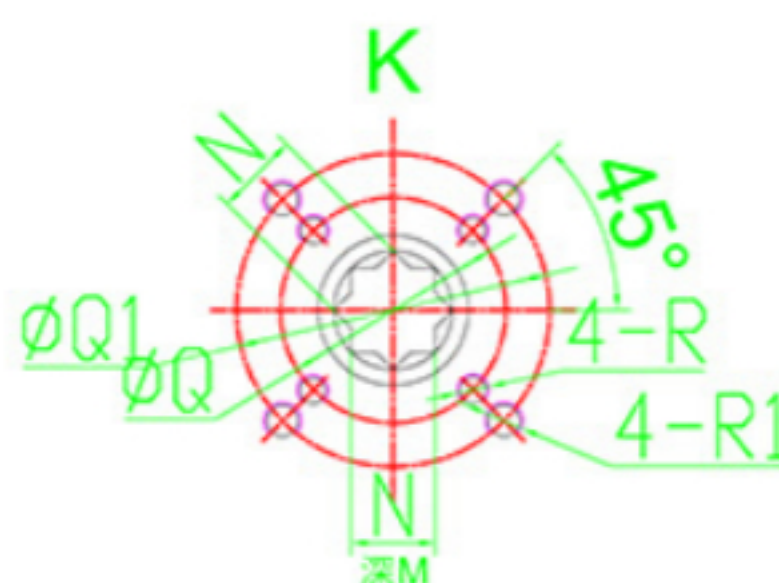
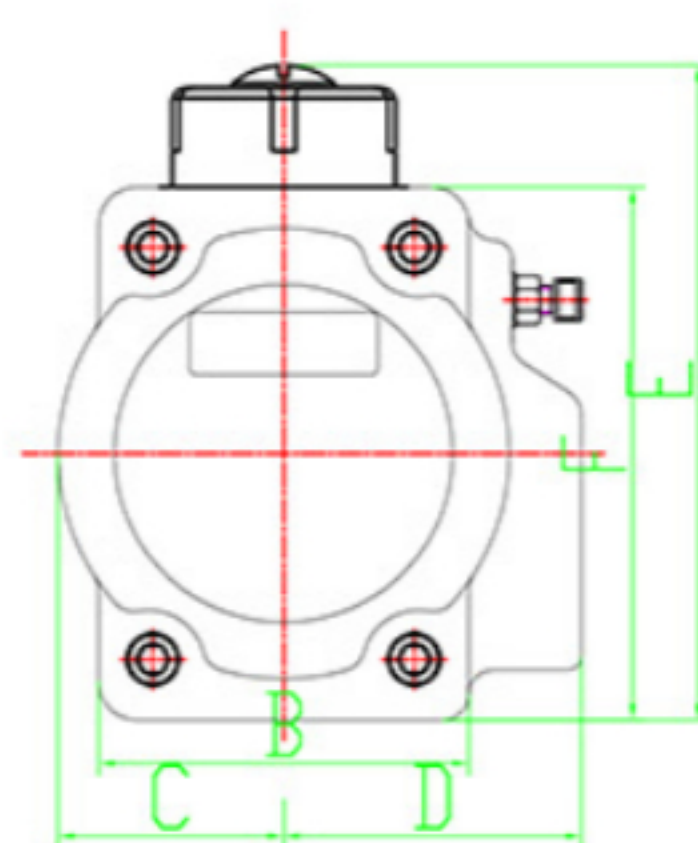
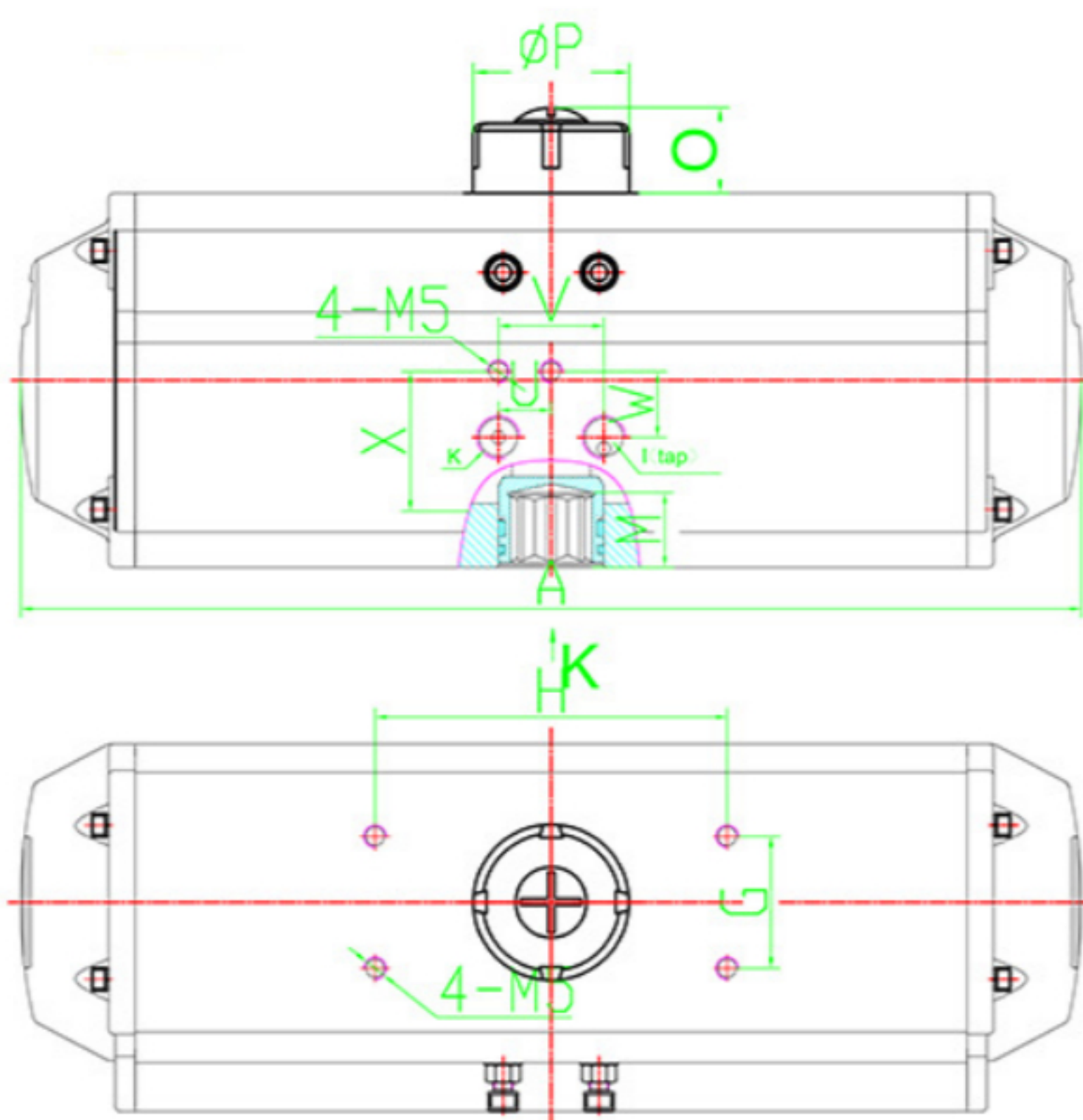


120° /180° actuator outside dimension and connection size (double acting)



Model	FLANGE L (ISO5211)	R/R1	A ₍₁₂₀₎	A ₍₁₈₀₎	B	C	D	E	F	G	H	I	K	O	P	U	V	W	X
	Q/Q1	M/N(min)																	
ATC-50	F03/F05	M5/M6	192	210	47	29	41.5	99	69	30	80	PF	1/4"	20	40	12	24	16	32
	ø36/ø50	13/11																	
ATC-63	F03/F05	M5/M6	224	236	59	36	47.5	115	85	30	80	PF	1/4"	20	40	12	24	16	32
	ø36/ø50	16/14																	
ATC-75	F05/F07	M6/M8	284	324	68	43	51	132	102	30	80	PF	1/4"	20	40	12	24	16	32
	ø50/ø70	19/17																	
ATC-88	F05/F07	M6/M8	325	375	68	49.5	55.5	145	115	30	80	PF	1/4"	20	40	12	24	16	32
	ø50/ø70	20/17																	
ATC-100	F07/F10	M8/M10	356	396	95	56	64	151	127	30	80	PF	1/4"	20	40	12	24	16	32
	ø70/ø102	24/22																	
ATC-115	F07/F10	M8/M10	335	485	97	64.5	74.5	180	145	30	80	PF	1/4"	30	62	12	24	16	32
	ø70/ø102	24/22																	
ATC-125	F07/F10	M8/M10	466	516	97	69	78.5	192	157	30	80	PF	1/4"	30	62	12	24	16	32
	ø70/ø102	29/27																	
ATC-145	F10/F12	M10/M12	516	552	115	80	87	213	178	30	80/130	PF	1/4"	30	62	12	24	16	32
	ø102/ø125	30/27																	
ATC-160	F10/F12	M10/M12	570	630	118	89	104	235	200	30	80/130	PF	1/4"	30	80	12	24	16	32
	ø102/ø125	30/27																	
ATC-190	F10/F14	M10/M16	655	720	130	103	103	266	231	30	80/130	PF	1/4"	30	80	12	24	16	32
	ø102/ø140	40/36																	
ATC-210	F14	M16	770	840	130	113	113	292	257	30	130	PF	1/4"	30	80	12	24	16	32
	ø140	40/36																	
ATC-240	F16	M20	840	916	160	130	130	327	292	30	130	PF	1/4"	30	90	12	24	16	32
	ø165	50/46																	
ATC-270	F16	M20	940	1020	160	147	147	366	331	30	130	PF	1/2"	30	90	20	40	22.5	45
	ø165	50/46																	
ATC-300	F16	M20	1140	1230	180	161	168	389	354	30	130	PF	1/2"	30	90	20	40	22.5	45
	ø165	50/46																	