

Name: High Performance Butterfly Valve

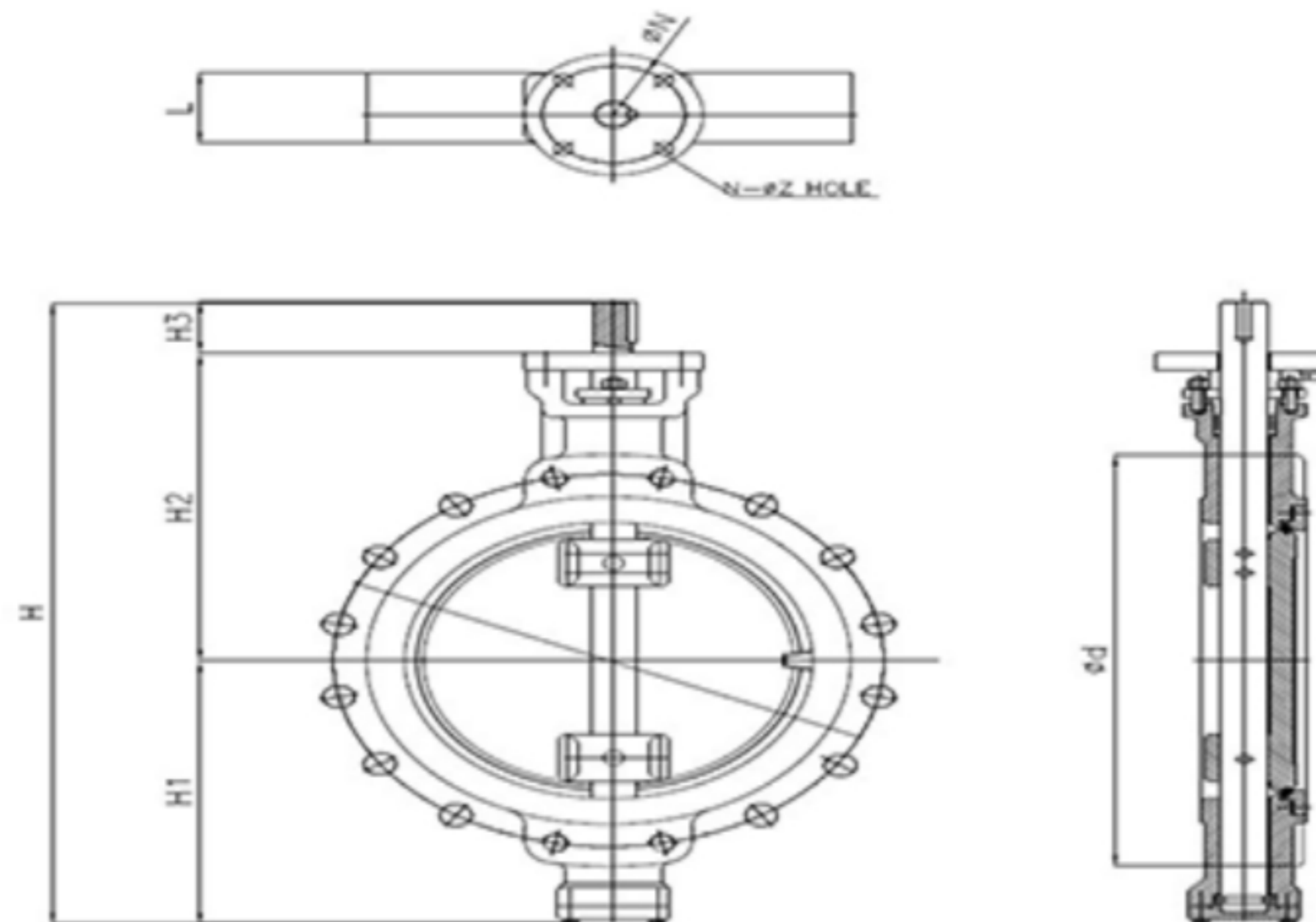
* Specification

- MODEL NO: KST-036
 - SIZE: 2inch ~ 36inch
 - RATING: ANSI 150,300 / 10K,20K
 - VALVE TYPE: WAFER, LUG, FLANGE
 - TOP FLANGE: ISO 5211
 - TESTING: API598, ASME B 16.34, JIS B 2003, BS6755-1 etc.
- OPERATION
 - Manual lever operation
 - Manual worm gear operation
 - Pneumatic actuator operation
 - Hydraulic actuator operation
 - Electric motor actuator operation

* Material

BODY	CAST IRON / DUCTILE / CAST STEEL / STAINLESS STEEL / AL-BRONZE / ETC
DISC	CAST STEEL / STAINLESS STEEL / AL-BRONZE / ETC
SEAT	STAINLESS STEEL / TEFLON / METAL+TEFLON (RTFE, PTFE)

* Dimension



ANSI 150/KS 10K,20K

Unit: mm

SIZE	L	ød	Approx.				TOP FLANGE		
			H	H1	H2	H3	ØN	N-ØZ	
2"	50A	43	50	331	118	168	45	F07(70)	4-9
3"	80A	48	80	374	144	185	45	F07(70)	4-9
4"	100A	54	100	409	164	200	45	F07(70)	4-9
6"	150A	57	150	490	205	240	45	F07(70)	4-9
8"	200A	64	200	553	223	270	60	F10(102)	4-12
10"	250A	71	250	655	275	320	60	F10(102)	4-12
12"	300A	81	300	718	308	350	60	F10(102)	4-12
14"	350A	92	350	816	346	395	70	F14(140)	4-18
16"	400A	102	400	905	385	445	75	F14(140)	4-18
18"	450A	114	450	1000	410	490	100	F16(165)	4-22
20"	500A	127	500	1048	448	500	100	F16(165)	4-22
22"	550A	154	550	1123	488	535	100	F16(165)	4-22
24"	600A	154	600	1180	515	565	100	F16(165)	4-22
26"	650A	165	650	1271	551	620	100	F25(254)	8-18
28"	700A	165	700	1346	596	650	100	F25(254)	8-18
30"	750A	190	750	1415	620	695	100	F25(254)	8-18
32"	800A	190	800	1515	645	720	150	F30(298)	8-32
36"	900A	203	900	1665	710	805	150	F30(298)	8-32