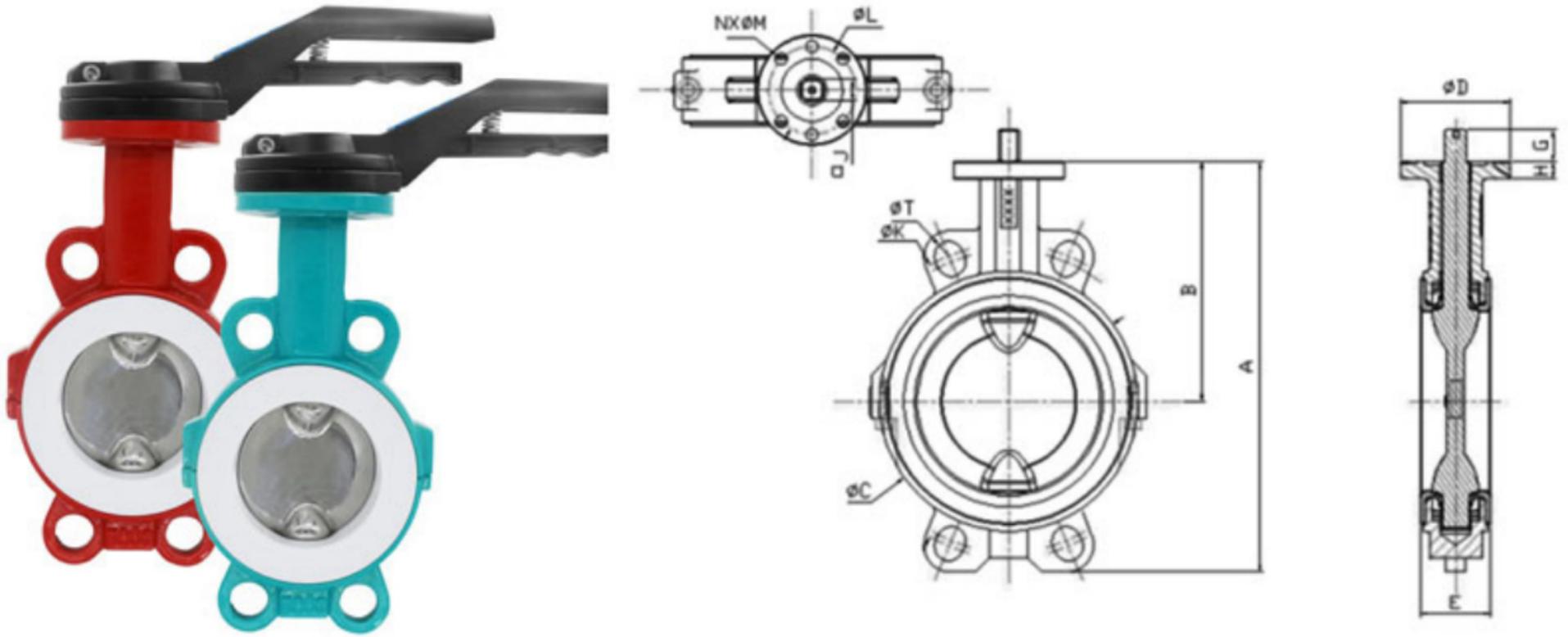




[Browse similar products](#)

Previous Page : [Full lined valve](#)

Name: Clip type valve



Size range: 2 "-24" (DN50-400)

Temperature range: -30 - 180

Pressure rating: PN16 150LB Pn10

Body material: carbon steel stainless steel ductile cast iron (CF8/CF8M)

Valve plate material: stainless steel CF8/CF8M (optional mirror polished) aluminum bronze brass

Stem material: stainless steel 420 stainless steel 316/316L chromium stainless steel

Valve seat material: PTFE reinforced PTFE RTFE

Transmission mode: manual pneumatic hydraulic pneumatic hydraulic pneumatic hydraulic linkage, etc.

Should be used: - highly corrosive media and toxic media and equipment purification industry

- Coatings production and processing, adhesives, paper and fuel transportation

- food industry, dangerous goods transportation, moisture, chlorine and mining

- fuel transportation and storage and pharmaceutical industries

DIMENSIONES DELAS VALVULAS/ VALVES DIMENSIONS 阀门尺寸												PN 10		PN 16		ANSI150		扭矩	
DN		A	B	C	D	E	G	H	J	L	N°XM	K	HOLES	K	HOLES	K	HOLES	Pn10	Pn16
MM	IN												Ø		Ø		Ø		
												N°xT		N°xT					
50	2"	198	136	94	86.5	43	26	12	11	70	6X9	125	4X18	125	4X18	120.6	4X19	23	31
65	2.5"	210	140	106	86.5	46	26	12	11	70	6X9	145	4X18	145	4X18	139.7	4X19	31	37
80	3"	240	150	125	86.5	46	26	12	11	70	6X9	160	4X18	160	4X18	152.4	4X19	42	43
100	4"	273	167	152	86.5	52	26	12	14	70	6X9	180	4X18	180	4X18	190.5	4X19	47	55
125	5"	298	181	176	86.5	56	26	12	17	70	6X9	210	4X18	210	4X18	215.9	4X23	86	88
150	6"	316	186	200	86.5	56	26	12	17	70	6X9	240	4X23	240	4X23	241.3	4X23	110	115
200	8"	395	232	260	130	60	36	14	22	102	6X11	295	4X23	295	4X23	298.5	4X23	190	208
250	10"	473	273	320	150	68	24	15	22	125	4x14.5	350	4X23	355	4X27	362.0	4X26	250	288
300	12"	539	311	374	150	78	29	15	22	125	4x14.5	400	4X23	410	4X27	431.8	4X26	290	385
350	14"	607	346	422	150	78	29	16	22	125	4x14.5	460	4X23	470	4X27	476.3	4X29	354	500
400	16"	670	375	484	150	102	38	18	27	125	4x14.5	515	4X27	525	4X30	539.8	4X29	477	692

以上阀门扭矩不含安全系数