

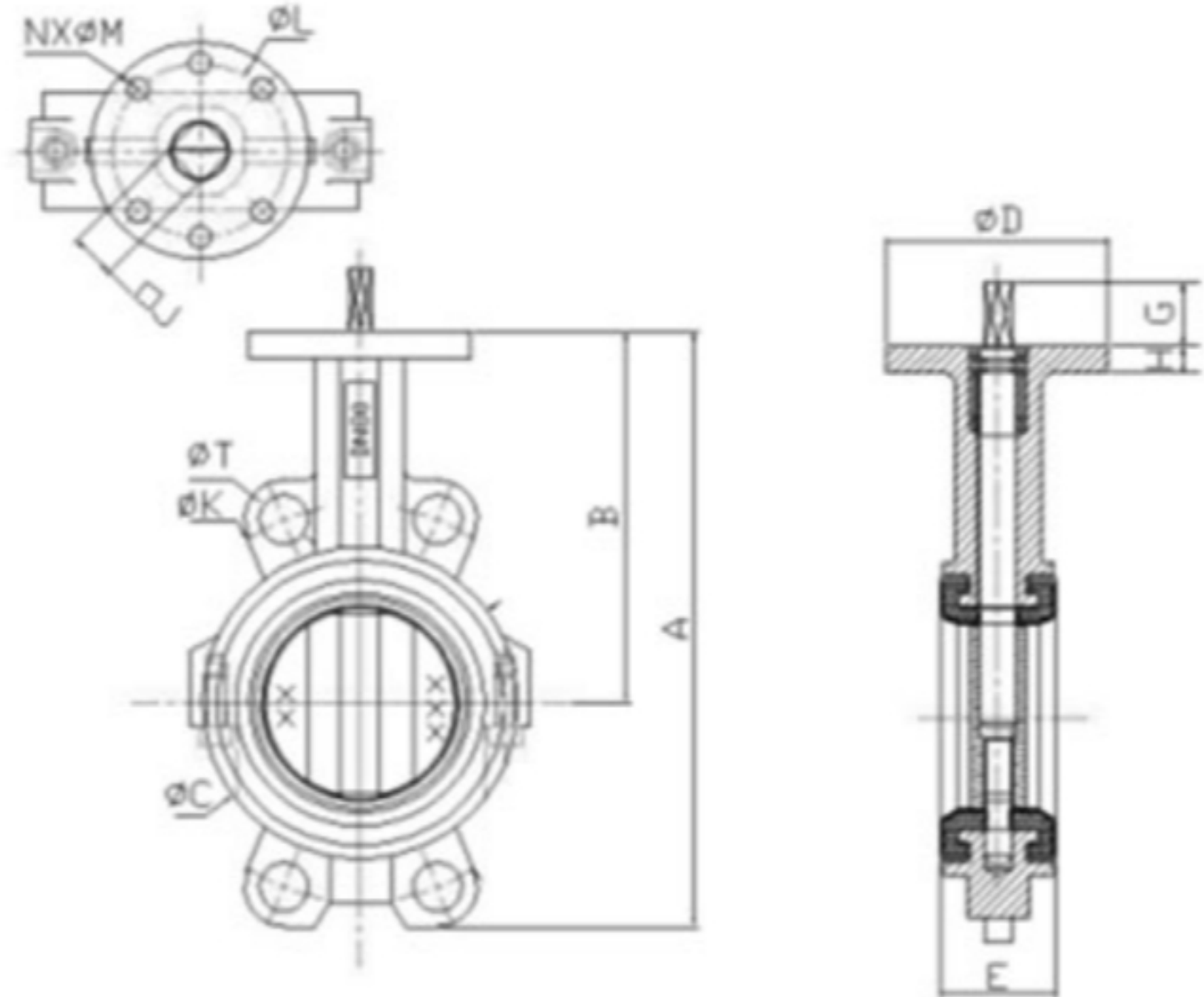


[Browse similar products](#)

Previous Page : [Double flange valve](#)

Next : [Full lined valve](#)

Name: Composite plastic valve



Size range: 2 "-24" (DN50-DN300)

Temperature range: -29 - 150

Pressure rating: Pn10 Pn16 150LB Pn6

Body material: gray iron, ductile iron, carbon steel

Valve plate material: stainless steel 304, stainless steel 316, stainless steel, fluorine

Stem material: stainless steel 316L, stainless steel 420

Valve seat material: PTFE+EPDM

Transmission mode: manual pneumatic hydraulic pneumatic hydraulic pneumatic hydraulic linkage, etc.

Should be used: corrosive and toxic medium

DIMENSIONES DELAS VALVULAS/ VALVES DIMENSIONS 阀门尺寸												PN 10		PN 16		ANSI150		扭矩
DN		A	B	C	D	E	G	H	J	L	N°XM	K	HOLES	K	HOLES	K	HOLES	
MM	"												孔		孔		孔	
50	2"	198	136	94	86.5	43	26	12	9	70	6X9	125	4X18	125	4X18	120.6	4X19	13
65	2.5"	210	140	106	86.5	46	26	12	9	70	6X9	145	4X18	145	4X18	139.7	4X19	19
80	3"	240	150	125	86.5	46	26	12	9	70	6X9	160	4X18	160	4X18	152.4	4X19	26
100	4"	273	167	152	86.5	52	26	12	11	70	6X9	180	4X18	180	4X18	190.5	4X19	39
125	5"	298	181	176	86.5	56	26	12	14	70	6X9	210	4X18	210	4X18	215.9	4X23	58
150	6"	316	186	200	86.5	56	26	12	14	70	6X9	240	4X23	240	4X23	241.3	4X23	73
200	8"	395	232	260	130	60	36	14	17	102	6X11	295	4X23	295	4X23	298.5	4X23	135
250	10"	473	273	320	150	68	40	15	19	125	4x14.5	350	4X23	355	4X27	362.0	4X26	204
300	12"	539	311	374	150	78	40	15	22	125	4x14.5	400	4X23	410	4X27	431.8	4X26	309

以上阀门扭矩不含安全系数