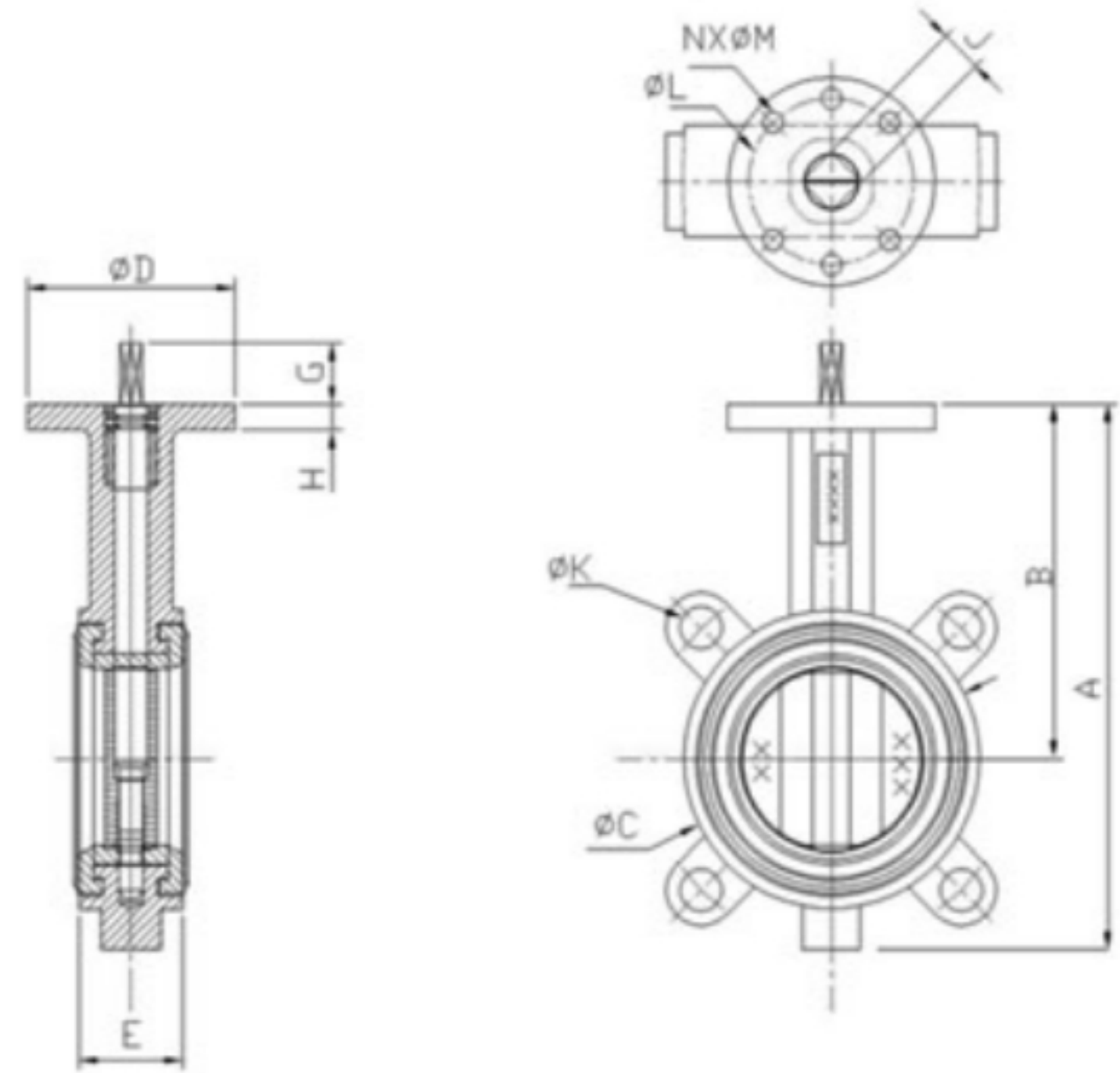


[Browse similar products](#)

Previous Page : [Clip type valve](#)

Next : [Standard flange valve](#)

Name: Lug type valve



Nominal diameter: DN50-DN600

Application scope: water, sewage, construction, food, textile, electric power, shipbuilding, energy etc..

Applicable temperature: -10 to 160 C (which can vary from material to material).

Structure length: GB/T 12221 J1 series ISO 5752 series20, BS5155 ShortShort/Medium DIN Part3 3202 series, K1 Wafer

Top flange: ISO 5211

Body material: gray iron, ductile iron, carbon steel, stainless steel, copper alloy, aluminum alloy, etc.

Valve plate material: ductile iron, stainless steel, copper alloy, etc.

Stem material: stainless steel

Seat: ethylene propylene rubber, nitrile rubber, silicone rubber, fluorine rubber, etc.

Drive mode: manual, pneumatic, electric, worm pneumatic, hydraulic, electro-hydraulic linkage, etc.

Leak level: A EN 12266-2 RATE (Ling Xielou)

DIMENSIONES DELAS VALVULAS/ VALVES DIMENSIONS 阀门尺寸											PN 10		PN 16		ANSI150		扭矩 Torque	
DN		A	B	C	D	E	G	H	J	L	N°XM	K	THREADED HOLES	K	THREADED HOLES	K		THREADED HOLES
MM	NI												螺纹孔		螺纹孔			螺纹孔
50	2"	198	136	94	86.5	43	26	12	9	70	6X9	125	4XM16	125	4XM16	120.6	4X5/8"	9
65	2.5"	210	140	106	86.5	46	26	12	9	70	6X9	145	4XM16	145	4XM16	139.7	4X5/8"	14
80	3"	240	150	125	86.5	46	26	12	9	70	6X9	160	8XM16	160	8XM16	152.4	4X5/8"	18
100	4"	273	167	152	86.5	52	26	12	11	70	6X9	180	8XM16	180	8XM16	190.5	8X5/8"	28
125	5"	298	181	176	86.5	56	26	12	14	70	6X9	210	8XM16	210	8XM16	215.9	8X3/4"	43
150	6"	316	186	200	86.5	56	26	12	14	70	6X9	240	8XM20	240	8XM20	241.3	8X3/4"	53
200	8"	395	232	260	130	60	36	14	17	102	6X11	295	8XM20	295	12XM20	298.5	8X3/4"	99
250	10"	473	273	320	150	68	40	15	19	125	4x14.5	350	12XM20	355	12XM24	362.0	12X7/8"	222
300	12"	539	311	374	150	78	40	15	22	125	4x14.5	400	12XM20	410	12XM24	431.8	12X7/8"	336
350	14"	607	346	422	150	78	40	16	22	125	4x14.5	460	16XM20	470	16XM24	476.3	12X1"	370
400	16"	670	375	484	150	102	40	18	27	125	4x14.5	515	16XM24	525	16XM27	539.8	16X1"	595
450	18"	711	406	536	210	108	80	25	φ 50	165	4x22	565	20XM24	585	20XM27	577.9	16X1 1/8"	910
500	20"	786	438	591	210	127	80	25	φ 50	165	4x22	620	20XM24	650	20XM30	635.0	20X1 1/8"	1238
600	24"	941	495	695	210	157	90	30	φ 60	165	4x22	725	20XM27	770	20XM33	749.3	20X1 1/4"	2250