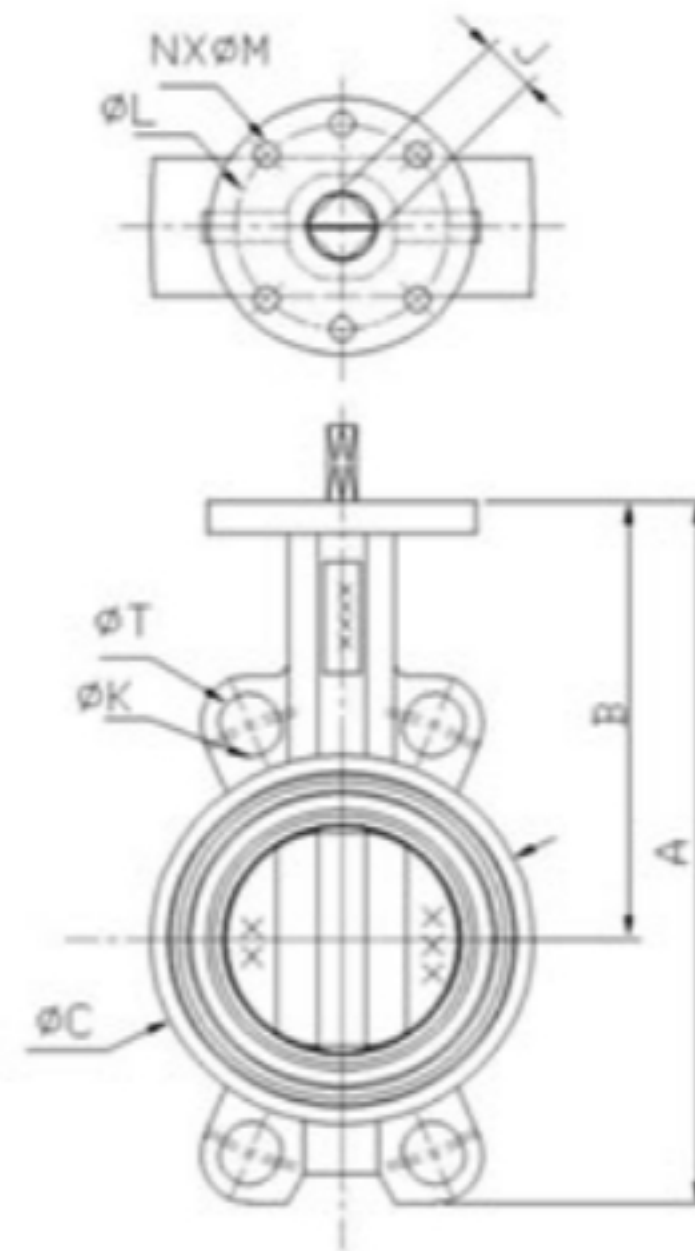
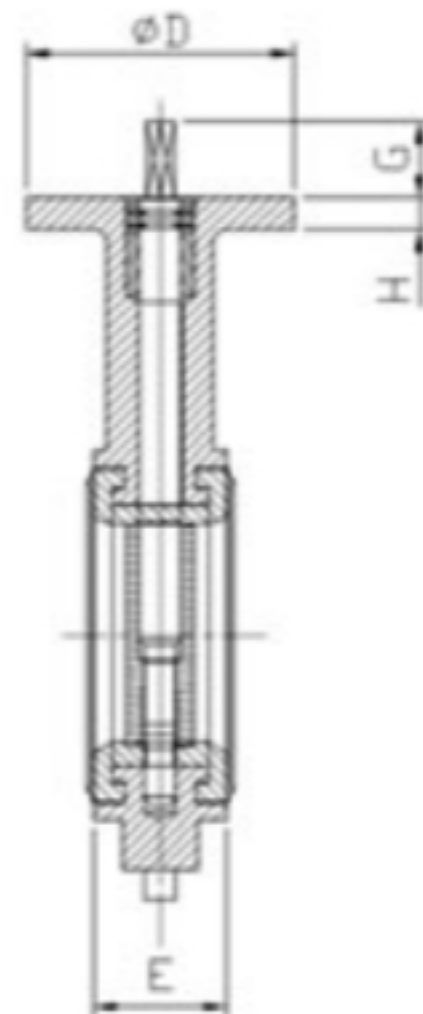




[Browse similar products](#)

Next : [Lug type valve](#)

Name: Clip type valve



Nominal diameter: DN50-DN600

Application scope: water, sewage, construction, food, textile, electric power, shipbuilding, energy etc..

Applicable temperature: -10 to 160 C (which can vary from material to material).

Structure length: GB/T 12221 J1 series ISO 5752 series20, Short Wafer Short/Medium DIN Part3 3202 series, K1 BS5155

Top flange: ISO 5211

Body material: gray iron, ductile iron, carbon steel, stainless steel, copper alloy, aluminum alloy, etc.

Valve plate material: ductile iron, stainless steel, copper alloy, etc.

Stem material: stainless steel

Seat: ethylene propylene rubber, nitrile rubber, silicone rubber, fluorine rubber, etc.

Drive mode: manual, pneumatic, electric, worm pneumatic, hydraulic, electro-hydraulic linkage, etc.

Leak level: A EN 12266-2 RATE (Ling Xielou)

DIMENSIONES DELAS VALVULAS/ VALVES DIMENSIONS 阀门尺寸												PN 10		PN 16		ANSI150		扭矩 Torque
DN		A	B	C	D	E	G	H	J	L	N°XM	K	HOLES	K	HOLES	K	HOLES	
MM	NI												孔		孔		孔	
50	2"	198	136	94	86.5	43	26	12	9	70	6X9	125	4X18	125	4X18	120.6	4X19	9
65	2.5"	210	140	106	86.5	46	26	12	9	70	6X9	145	4X18	145	4X18	139.7	4X19	14
80	3"	240	150	125	86.5	46	26	12	9	70	6X9	160	4X18	160	4X18	152.4	4X19	18
100	4"	273	167	152	86.5	52	26	12	11	70	6X9	180	4X18	180	4X18	190.5	4X19	28
125	5"	298	181	176	86.5	56	26	12	14	70	6X9	210	4X18	210	4X18	215.9	4X23	43
150	6"	316	186	200	86.5	56	26	12	14	70	6X9	240	4X23	240	4X23	241.3	4X23	53
200	8"	395	232	260	130	60	36	14	17	102	6X11	295	4X23	295	4X23	298.5	4X23	99
250	10"	473	273	320	150	68	40	15	19	125	4x14.5	350	4X23	355	4X27	362.0	4X26	222
300	12"	539	311	374	150	78	40	15	22	125	4x14.5	400	4X23	410	4X27	431.8	4X26	336
350	14"	607	346	422	150	78	40	16	22	125	4x14.5	460	4X23	470	4X27	476.3	4X29	370
400	16"	670	375	484	150	102	40	18	27	125	4x14.5	515	4X27	525	4X30	539.8	4X29	595
450	18"	711	406	536	210	108	80	25	50	165	4x22	565	4XM24	585	4XM27	577.9	4X1 1/8"	910
500	20"	786	438	591	210	127	80	25	50	165	4x22	620	4XM24	650	4XM30	635.0	4X1 1/8"	1238
600	24"	941	495	695	210	157	90	30	60	165	4x22	725	4XM27	770	4XM33	749.3	4X1 1/4"	2250

不含安全系数