

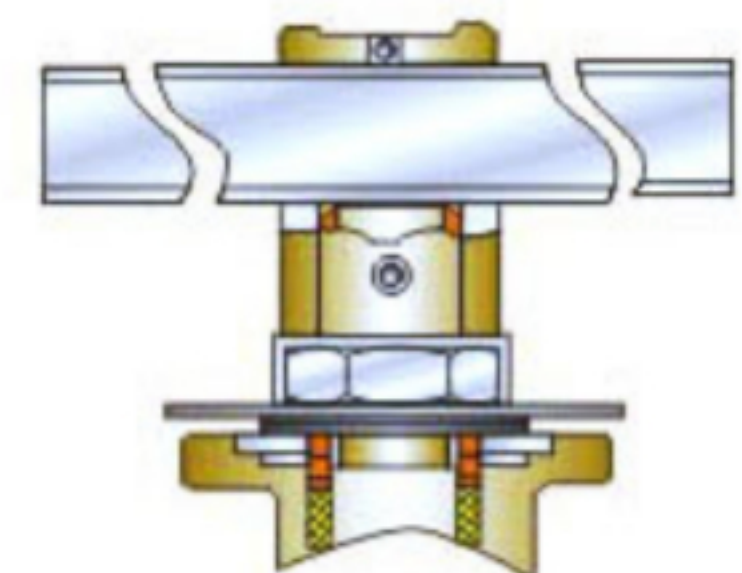
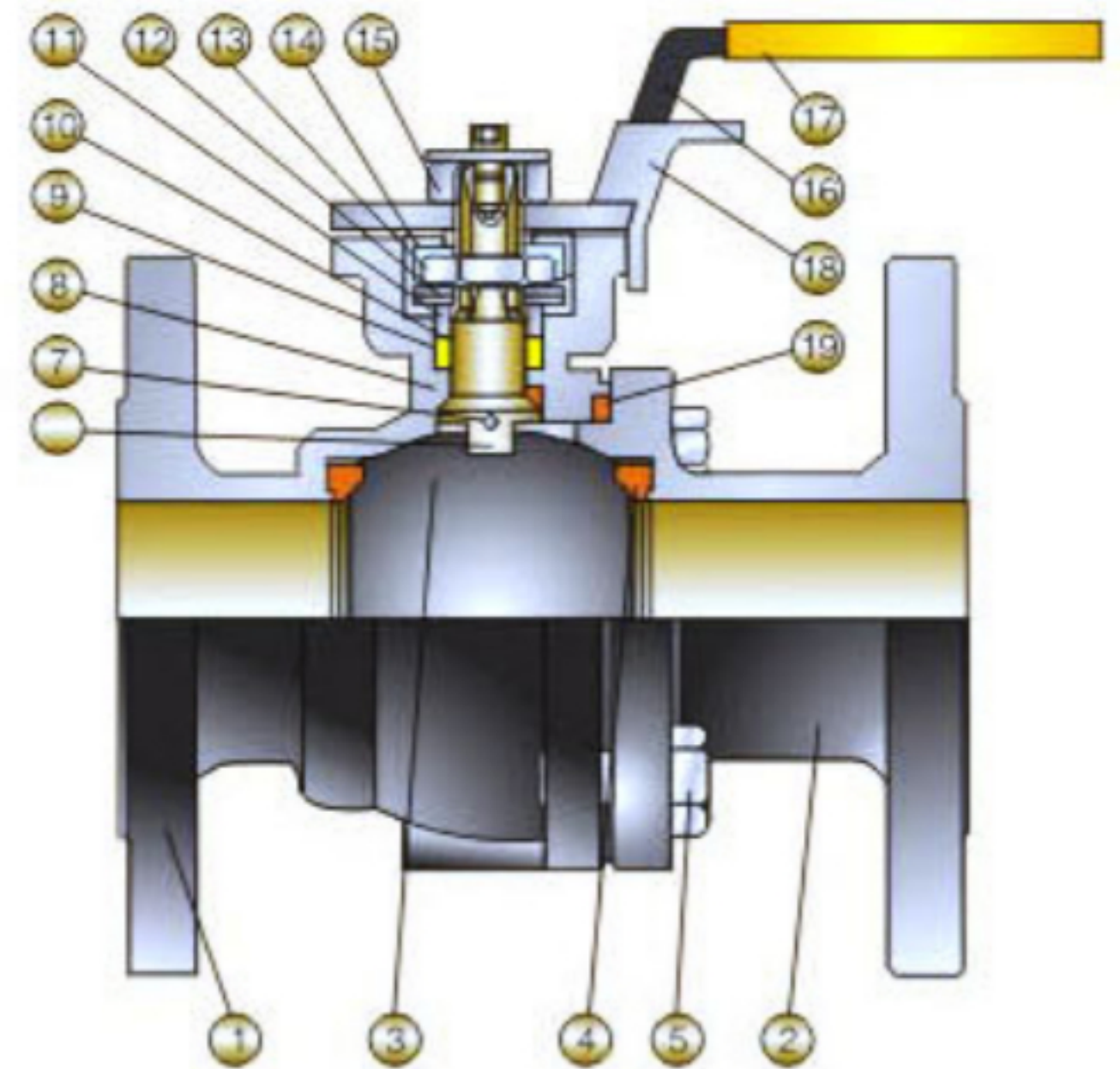
Name: 2PCS 프랜지 자동용 BALL VALVE (MODEL : KST-028)

	GB	ANSI	JIS	DIN
DESIGN	GB/T12237	API608 ANSI B16.34	API608	DIN 3357/1,2
FACE TO FACE	GB/T12221	ASME B16.10	JIS B2002	DIN 3202
END FLANGE	GB/T9113 JB/T79	ASME B16.5	JIS B2212 JIS B2214	DIN 2543- 2545
INSPECTION AND TESTING	GB/T13927	API 598	JIS B2003	DIN 3230/3



MAIN PARTS AND MATERIALS

NO.	Parts description	Material			
1	Body	CF8M	CF8	WCB	Ti钛
2	Cap	CF8M	CF8	WCB	Ti钛
3	Ball body	316	304		Ti钛
4	Seat	PTFE PPL			
5	Nut	A193-B8		A193-B7	A193-B8
6	Stem	316	304	2Cr13	Ti钛
7	Anti-Static	304			
8	Thrust Washer	PTFE, Flexible grahite			
9	Packing	PTFE, Flexible grahite			
10	Transition Washer	RPTFE, Flexible grahite			
11	Packing ring	304			
12	Bellivel Washer	304			
13	Nut	304			
14	Stop-lock cap	304			
15	Nut	304			
16	(1/2"-3")Handle	304			
17	(1/2"-3")Handle cover	Plastics			
18	(1/2"-3")Lock Device	304			
19	Sealing Gasket	PTFE, Flexible grahite+Stainless steel wire			
20	(4"-6")Steel tube	Galvanizde steel tube			
21	(4"-6")Hand Adapter	CF8			
22	Stop bolt	304			



DN100~200