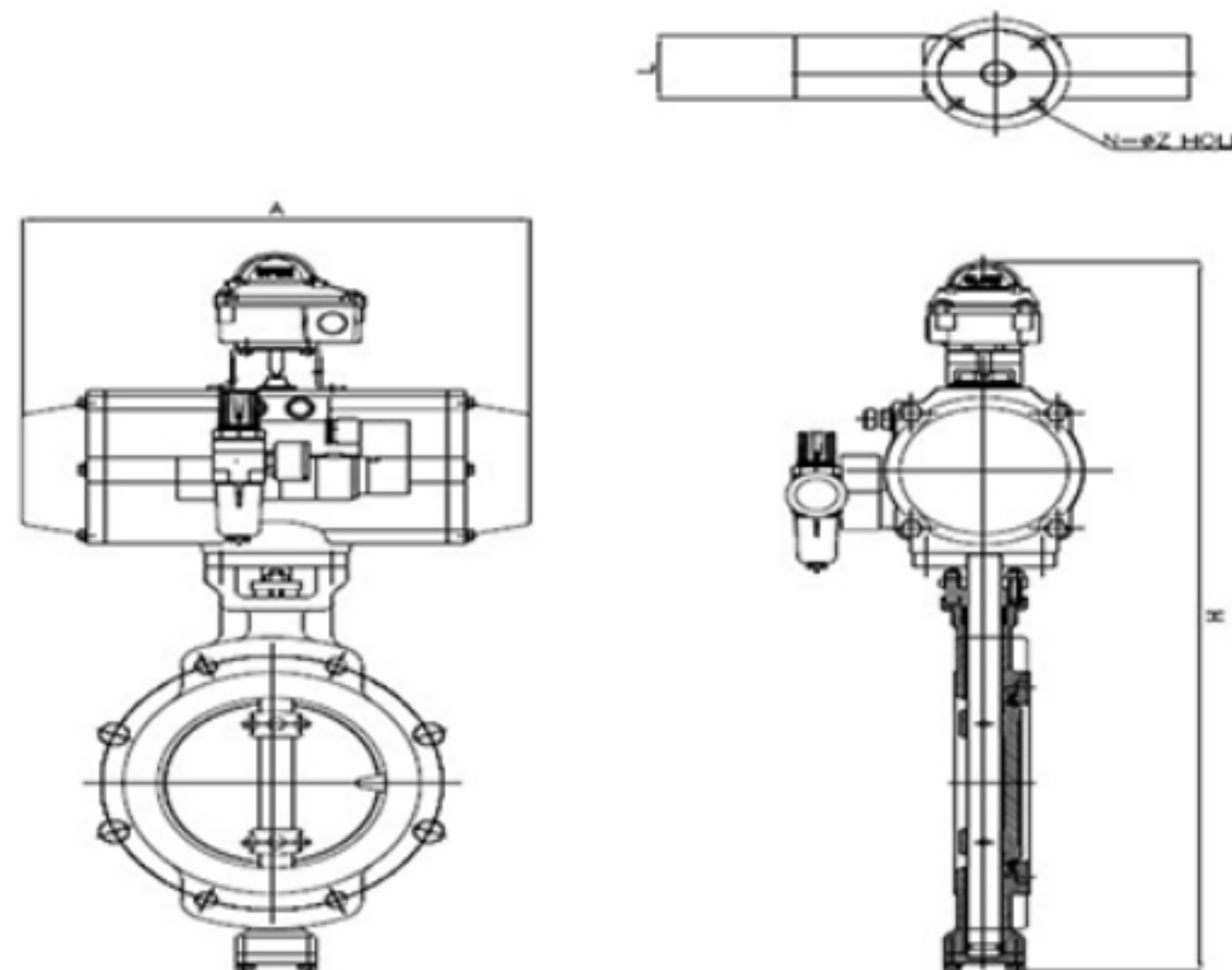


Name: Pneumatic High Performance Butterfly Valve

* Specification

Valve Size	50A ~ 500A	
Model	HPMD-50 ~ HPMD-500	
Actuator Type	Double Acting / Single Acting (Spring Return)	
Operating Media	Compressed Dry Air	
Operating Pressure	4.5 ~ 8 bar	
Rotating Angle	90° (±3°)	
Fluid Temperature	-20 ~ 80°C	
Rating	KS/JIS 10K, 20K	ANSI 150#, 300#
Body Material	CAST IRON / DUCTILE / CAST STEEL / STAINLESS STEEL / AL-BRONZE / ETC	
Accessory	Solenoid Valve, Air set, Limit Switch Box, Positioner	

* Dimension



ANSI 150/KS 10K,20K

MODEL	SIZE		L	Approx.		TOP FLANGE	
				A	H	ØN	n-ØZ
HPMD-50	2"	50A	43	186	601	F07(70)	4-9
HPMD-80	3"	80A	48	206	654	F07(70)	4-9
HPMD-100	4"	100A	54	265	696	F07(70)	4-9
HPMD-150	6"	150A	57	304	761	F07(70)	4-9
HPMD-200	8"	200A	64	395	828	F10(102)	4-12
HPMD-250	10"	250A	71	462	948	F10(102)	4-12
HPMD-300	12"	300A	81	552	1040	F10(102)	4-12
HPMD-350	14"	350A	92	630	1288	F14(140)	4-18
HPMD-400	16"	400A	102	630	1377	F14(140)	4-18
HPMD-450	18"	450A	114	750	1511	F16(165)	4-22
HPMD-500	20"	500A	127	772	1638	F16(165)	4-22