



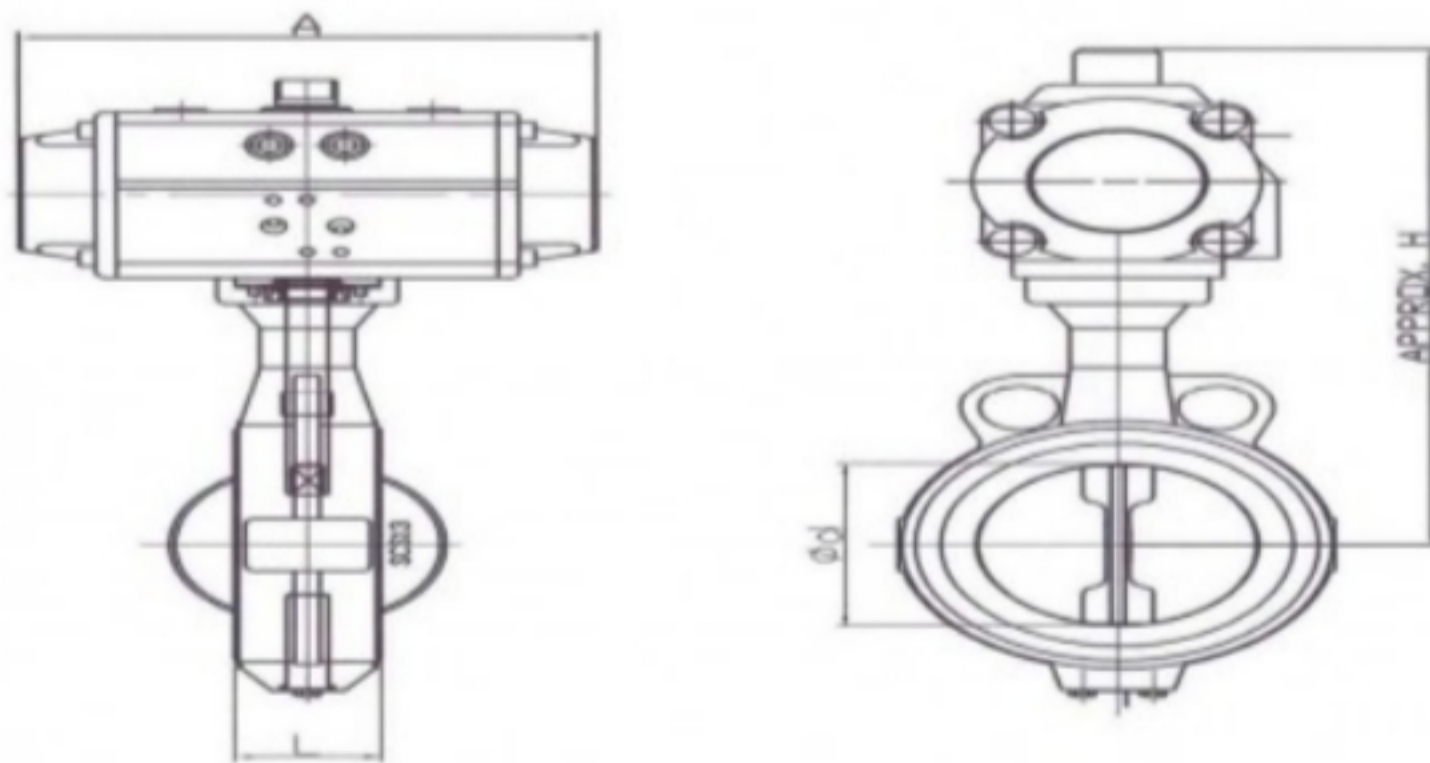
## **BUTTERFLY VALVE -DOUBLE & SINGLE ACTING**

- \* Water distribution pipes
- \* Industrial cleaning machines
- \* Sterilizers, Boilers
- \* Air conditioners, Water filters
- \* Medical equipments, Vacuum paking
- \* Food & Beverage lines
- \* Vacuum distribution pipes

### \* Specification

Valve Size	40A ~ 400A	
Actuator Model	MD-50 ~ MD-210	
Actuator Type	Double Acting / Single Acting(Spring Return)	
Operating Media	Compressed Dry Air	
Operating Pressure	4.5 ~ 8bar	
Operating Pressure	4.5 ~ 8bar	
Rotating Angle	90° ±3°	
Fluid Temperature	-20 ~ 80℃	
Rating	JIS 10K,20K	ANSI 150#,300#
Body material	FC / SCPH2 / SUS304 / SUS316	
Accessory	Solenoid Valve, Air Set, Limit Switch Box, E/P Positioner	

### \* Dimension



Model	Size	A	H	L	FLANGE			Remark
				10K	d	c	n-h	
MD-SERIES	40A	146	200	33	40	105	4*19	
MD-SERIES	50A	163	220	43	50	120	4*19	
MD-SERIES	65A	163	230	46	65	140	4*19	
MD-SERIES	80A	214	260	46	80	150	8*19	
MD-SERIES	100A	252	280	52	100	175	8*19	
MD-SERIES	125A	252	310	56	125	210	8*23	
MD-SERIES	150A	270	320	56	150	240	8*23	
MD-SERIES	200A	354	410	60	200	290	12*23	
MD-SERIES	250A	418	440	68	250	355	12*25	
MD-SERIES	300A	450	520	78	300	400	16*25	
MD-SERIES	350A	518	785	78	350	445	16*25	
MD-SERIES	400A	530	960	102	400	510	16*27	