

PNEUMATIC 1-PIECE BALL VALVE DOUBLE & SINGLE ACTING

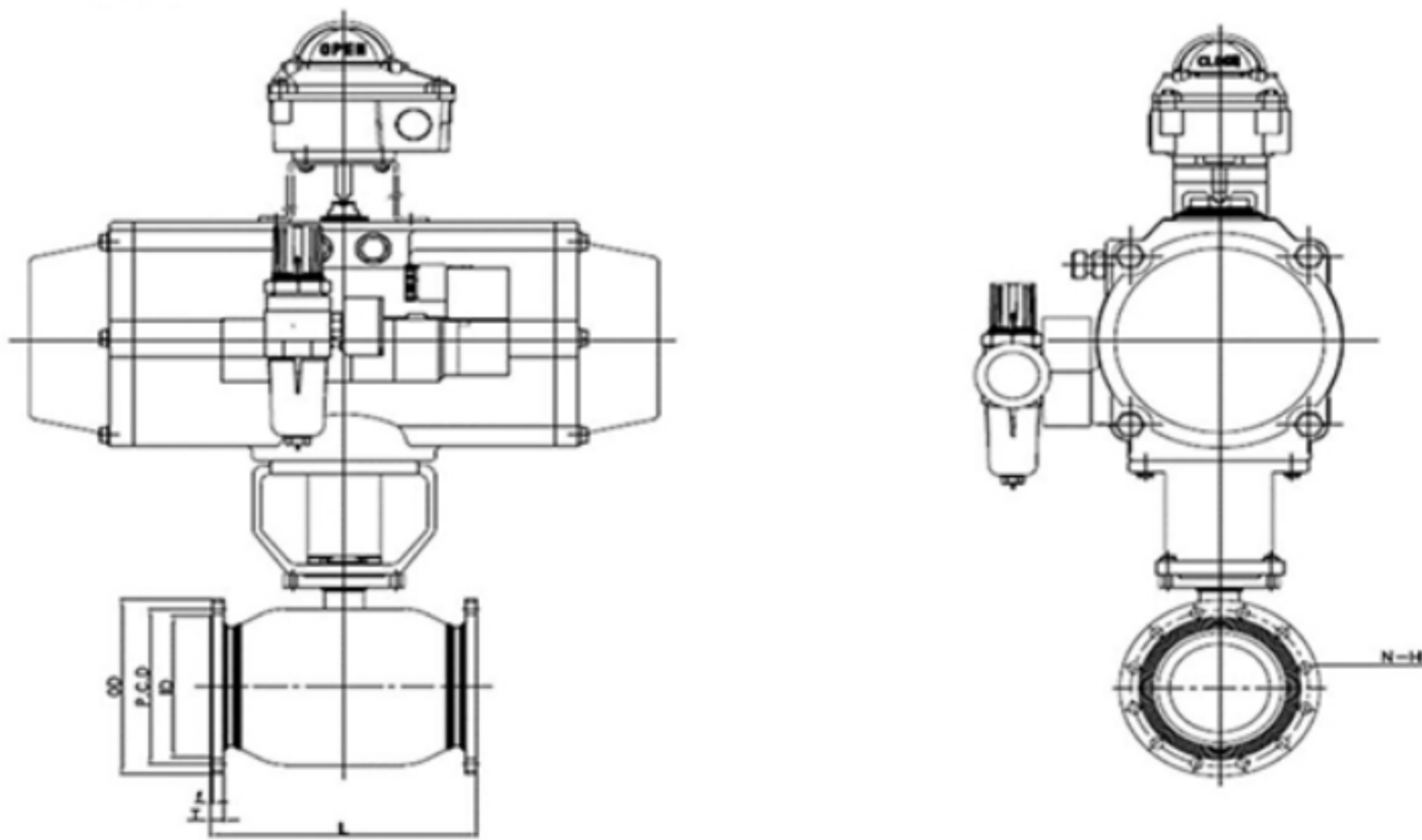
* Specification



Valve Size	15A ~ 200A	
Model	10K	20K
	1BMD1-15A- ~ 1BMD1-200A	1BMD2-15A- ~ 1BMD2-200A
Actuator Type	Double Acting / Single Acting (Spring Return)	
Operating Media	Compressed Dry Air	
Operating Pressure	4.5 ~ 8 bar	
Rotating Angle	90° (±3°)	
Fluid Temperature	-20 ~ 80°C	
Rating	KS/JIS 10K, 20K	
Body Material	STS304 / SUS304 / SSC13 / SPPS250 / SPPS380 / ETC	
Accessory	Solenoid Valve, Air set, Limit Switch Box, Positioner	

PNEUMATIC 1-PIECE BALL VALVE DOUBLE & SINGLE ACTING

* Dimension



FLANGE END - 10K

Unit: mm

MODEL	SIZE	L	øID	øOD	F	T	P.C.D	N-ØH
1BMD1-15A	15A	108	51	95	1	12	70	4-15
1BMD1-20A	20A	117	56	100	1	14	75	4-15
1BMD1-25A	25A	127	67	125	1	14	90	4-19
1BMD1-32A	32A	140	76	135	2	16	100	4-19
1BMD1-40A	40A	165	86	140	2	16	105	4-19
1BMD1-50A	50A	178	96	155	2	16	120	4-19
1BMD1-65A	65A	190	116	175	2	18	140	4-19
1BMD1-80A	80A	203	126	185	2	18	150	8-19
1BMD1-100A	100A	229	151	210	2	18	175	8-19
1BMD1-125A	125A	356	182	250	2	20	210	8-23
1BMD1-150A	150A	394	212	280	2	22	240	8-23
1BMD1-200A	200A	457	262	330	3	22	290	12-23

FLANGE END - 20K

Unit: mm

MODEL	SIZE	L	øID	øOD	F	T	P.C.D	N-ØH
1BMD2-15A	15A	140	51	95	1	14	70	4-15
1BMD2-20A	20A	152	56	100	1	16	75	4-15
1BMD2-25A	25A	165	67	125	1	16	90	4-19
1BMD2-32A	32A	178	76	135	2	18	100	4-19
1BMD2-40A	40A	190	86	140	2	18	105	4-19
1BMD2-50A	50A	216	96	155	2	18	120	8-19
1BMD2-65A	65A	241	116	175	2	20	140	8-19
1BMD2-80A	80A	283	132	200	2	22	160	8-23
1BMD2-100A	100A	305	160	225	2	24	185	8-23
1BMD2-125A	125A	381	195	270	2	26	225	8-25
1BMD2-150A	150A	403	230	305	2	28	260	12-25
1BMD2-200A	200A	502	275	350	3	30	305	12-25