

01

www.goldenrules.co.kr

Golden Rules Co., Ltd

Liquid
water quality meter

VALVE
FLANGE BALL KC600



The nation's development item, 100% domestic goods, Patent **NO.** 10-1660226



Design Features

The Ball plate of the Ball valve is installed in the diameter direction of the pipeline.

The wafer Ball valve is simple in structure, small in size and light in weight, and consists of only a few parts. Moreover, it can be opened and closed quickly by rotating 90°, and the operation is simple. At the same time, the valve has good fluid control characteristics.

Field of Application

Operating Temperature

NBR : 0°C~+90°C

EPDM : - 20°C~+120°C

PTFE : -10°C~+150°C

Operate

DN15-DN200 AT Type Pneumatic Actuator

DN350-DN3200 AW Type Pneumatic Actuator

Optional operation: Lever, Worm gear, Pneumatic, Electric-Motorized

Application: Chemical processing, Desalination plants, Drinking water, Dry powder, Food and beverage, Gas plants, HAVC Mining industry, Paper industry, Sand handling, Seawater, Sugar industry, Thermo technical water treatment, Waste water, Cooling Water Circulation, Compressed Air

Technical Specification

Design Standard

EN 593, MSS SP67, API 609, BS5155

Face to Face dimension

ISO 5752, EN 558, MSS SP67, API 609, DIN3202

End Standard

ANSI B16.1 Class125LB & B16.5 Class150LB
 AS 2129 Table D & E BS 10 Table D & E
 DIN 2501 PN6, PN10 & PN16
 EN 1092 PN6, PN10 & PN16
 ISO 2531 PN6, PN10 & PN16
 ISO 7005 PN6, PN10 & PN16
 KS B 1511 / JIS B 2210 5K & 10K
 MSS SP44 CL. 150LB AWWA C207
 SABS 1123 Table 1000/3 & Table 1600/3

Top Flange : ISO5211

Test standard : API 598, ISO 5208, EN 12266

Material Specification	
Part Name	Material
Body	Cast Iron, Ductile iron, WCB, SS304, SS316, Bronze, Aluminum Alloy
Seat	EPDM, NBR, PTFE, VITON, Rubber
Dsic	Ductile Iron, CF8, CF8M, WCB, Bronze, Aluminum Alloy
Stem	45#, 410, 420, 431, 304, 304L, 316, 316L, Bronze, Monel, Hard alloy

공압식 자동 밸브 Pneumatic Automatic Valves

Flange ball valve Double Acting / Single Acting



특징 / Feature / Application

- For controlling air, water, oil and steam (optional)
- Lightweight and compact design
- SCS13 BODY with strong corrosion resistance
- Semiconductor, water treatment, automation equipment, etc
- Possible to attach various Acc'Y(SOL V/V, LIMIT S/W, AIR SET)

공통 사양 / Common Specifications

Valve Size	15A ~ 350A					
Actuator Type	공압식(Pneumatic) / 복동식(Double Acting)			공압식(Pneumatic) / 단동식(Single Acting)		
Actuator Model	KC600-50D ~ KC600-210D			KC600-50D ~ KC600-210S		
Operating Media	청정한 압축공기 (Compressed Dry Air)					
Operating Pressure	4 ~ 7 kg/cm ² (0.4 ~ 0.7MPa)			5 ~ 7 kg/cm ² (0.5 ~ 0.7MPa)		
Rotating Angle	90° ± 5°					
Operating Temperature	0 ~ 80°C (단 동결이 없을 것 : but there will be no freezing)					
Rating	JIS 10K	JIS 20k	JIS 40K	ANSI 150#	ANSI 300#	ANSI 600#
Body Material	SUS304 (SUS316) / Body		SUS304 (SUS316) / Ball		PTFE (CARBON) / Seat	
Accessory	Solenoid Valve , Air filter Regulator , Limit Switch box , E-P Positioner					

형번 표시 방법 / How to order

KC600	65	D	-	25	F	-	SVD	-	LS	-	AS	-	DH	-	EP
Ⓐ	Ⓑ	Ⓒ		Ⓓ	Ⓔ		Ⓕ		Ⓖ		Ⓗ		Ⓙ		Ⓚ

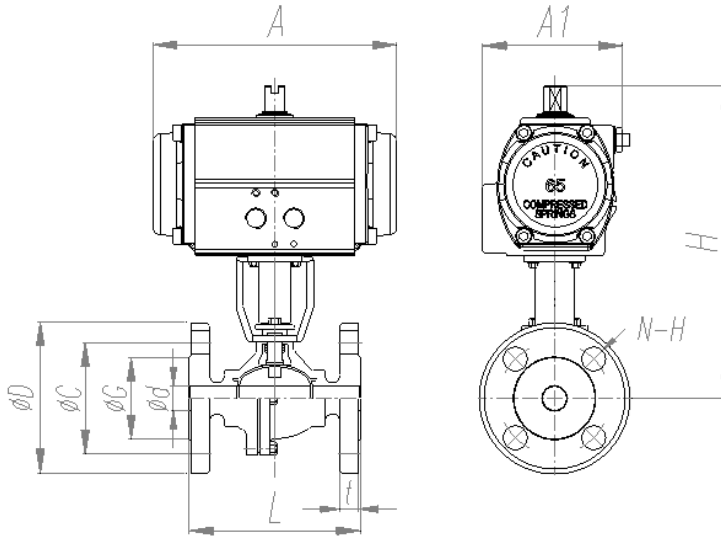
기 호	내 용			
Ⓐ 표시	ACTUATOR MODEL			
KC600	GOLDEN RULES ACTUATOR			
Ⓑ 표시	구동기 내경 사이즈(Actuator Bore Size)			
50	Bore 50 (mm)	100	Bore 100 (mm)	
65	Bore 60 (mm)	125	Bore 125 (mm)	
75	Bore 75 (mm)	140	Bore 140 (mm)	
80	Bore 80 (mm)	160	Bore 160 (mm)	
90	Bore 90 (mm)	190	Bore 190 (mm)	
Ⓒ 표시	구동 방법(Acting Method)			
D	복동식(Double Acting Actuator)			
S	단동식(Single Acting Actuator ; Spring return)			
Ⓓ 표시	접속 구경 (Connection Size)			
15	15A (1/2")	65	65A(2-1/2")	
20	20A (3/4")	80	80A(3")	
25	25A (1")	100	100A(4")	
32	32A (1-1/4)	125	125A(5")	
40	40A (1-1/2")	150	150A(6")	
50	50A (2")	200	200A(8")	
Ⓔ 표시	접속방식/밸브재질(Connection/Material)			
FA	2-WAY FLANGE/SUS304/PTFE			
FB	2-WAY FLANGE/SUS316/PTFE			
FC	2-WAY FLANGE/SUS304/CARBON			
FD	2-WAY FLANGE/SUS316L/PTFE			

기 호	내 용	
Ⓕ 표시	솔레노이드밸브 부착여부(Solenoid Valve)	
무기호	미부착(unattached)	
SV	단동 솔레노이드 밸브 (Single Solenoid Valve)	
SV(D)	복동 솔레노이드 밸브 (Double Solenoid Valve)	
SV(EX)	방폭형 솔레노이드 밸브 (Explosion Proof Solenoid Valve)	
Ⓖ 표시	리미트스위치 박스 부착여부(Limit Switch Box)	
무기호	미부착(unattached)	
LS	일반형 리미트 스위치 박스 (Weather Proof Limit Switch Box)	
LS(EX)	방폭형 리미트 스위치 박스 (Explosion Proof Limit Switch Box)	
Ⓗ 표시	필터레귤레이터 부착여부(FR UNIT)	
무기호	미부착(unattached)	
AS	Filter Regulator(여과도 5μm 표준)	
Ⓙ 표시	수동조작 기어 박스 부착여부(Declutch Gear Box)	
무기호	미부착(unattached)	
DH	디크러치 기어 박스(Handle Wheel 조작 타입)	
Ⓚ 표시	리드 스위치/포지셔너 부착여부(Reed Switch/Positoner)	
무기호	미부착(unattached)	
EP	전공포지셔너 부착 (비례제어 개도율 조정) Attachment of electric pole positioner (Proportional control opening rate adjustment))	

공압식 자동 밸브 Pneumatic Automatic Valves

■ **KC600 Flange ball valve Double Acting / Single Acting**

▶ **외형 치수도 / Dimension**



unit/단위: mm

MODEL		SIZE		A		A1		H		L	FLANGE					
Double (복동)	Single (단동)	MM	INCH	Double (복동)	Single (단동)	Double (복동)	Single (단동)	Double (복동)	Single (단동)		t	Ød	ØG	ØC	ØD	N- H
KC600-50D-15F	KC600-50S-15F	15A	½"	119	133	75	75	180	180	108	12	15	52	70	95	4-15
KC600-50D-20F	KC600-65S-20F	20A	¾"	119	154	75	89	188	205	117	14	20	58	75	100	4-15
KC600-65D-25F	KC600-65S-25F	25A	1"	131	154	89	89	215	215	127	14	25	70	90	125	4-19
KC600-65D-32F	KC600-80S-32F	32A	1-¼"	131	220	89	101	215	235	140	16	32	80	100	135	4-19
KC600-80D-40F	KC600-80S-40F	40A	1-½"	189	220	101	101	254	254	165	16	40	85	105	140	4-19
KC600-80D-50F	KC600-90S-50F	50A	2"	189	223	101	104	262	272	178	16	50	100	120	155	4-19
KC600-90D-65F	KC600-100S-65F	65A	2-½"	188	256	104	132	289	301	190	18	65	120	140	145	4-19
KC600-100D-80F	KC600-125S-80F	80A	3"	229	330	132	151	338	364	203	18	80	130	150	185	8-19
KC600-125D-100F	KC600-140S-100F	100A	4"	299	389	151	164	378	396	229	18	100	155	175	210	8-19
KC600-140D-125F	KC600-160S-125F	125A	5"	332	416	164	188	461	485	356	20	125	185	210	250	8-23
KC600-160D-150F	KC600-210S-150F	150A	6"	364	527	188	231	510	580	394	22	150	215	240	280	8-23
KC600-210D-200F		200A	8"	444		231		670		457	22	200	265	290	330	12-23



Golden Rules

• GOLDEN RULES

www.goldenrules.co.kr

Air & Gas & Steam & Liquid

Mass Flowmeter & Instruments

Specialized manufacturer

Distributor

Certified in accordance with

KC Q ISO 9001 : 2015

KC Q ISO 14001 : 2015

 (주)골든룰