

www.goldenrules.co.kr

Golden Rules Co., Ltd

Liquid, Gas, Vapor

Straightening Vanes, Flow Conditioner
KC-7700 Series



The nation's development item, 100% domestic goods, Patent **NO.** 10-1660226

11. Straightener KC-7700 Series

11-1. Straightening Vanes & Flow conditioner KC-7700 Series

Feature & Specification

- **FLANGE TYPE**

JIS 10K RF

ANSI 150# RF

DIN Flange

- **Straightener insertion welding method**

straightener bundle tube type

argon welding

- **FLANGE RATING**

ANSI(JPI) 150#, 300#, 600#, 900#, 1500#

JIS 10K, 20K, 30K, 63K



KC-7700 Series
Straightener

Application

Semiconductor Industry / Steel Industry / Chemical Industry / Environmental Engineering / Food / Pharmaceutical / Sewage Treatment / Power Plant / R&D Testing

Product Description

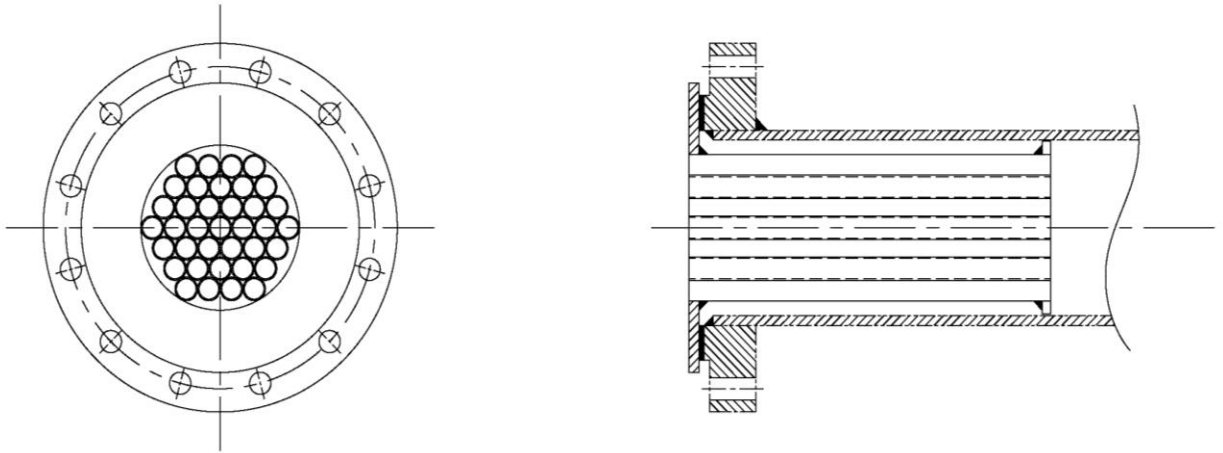
Straightening vanes have the ability to eliminate vortices and turbulence created by pipe fittings and valves in front of the meter tube. If you use a vane on a metric tube, you will need the length of the straight tube before the orifice plate.

The straightening vane consists of a thin steel tube.

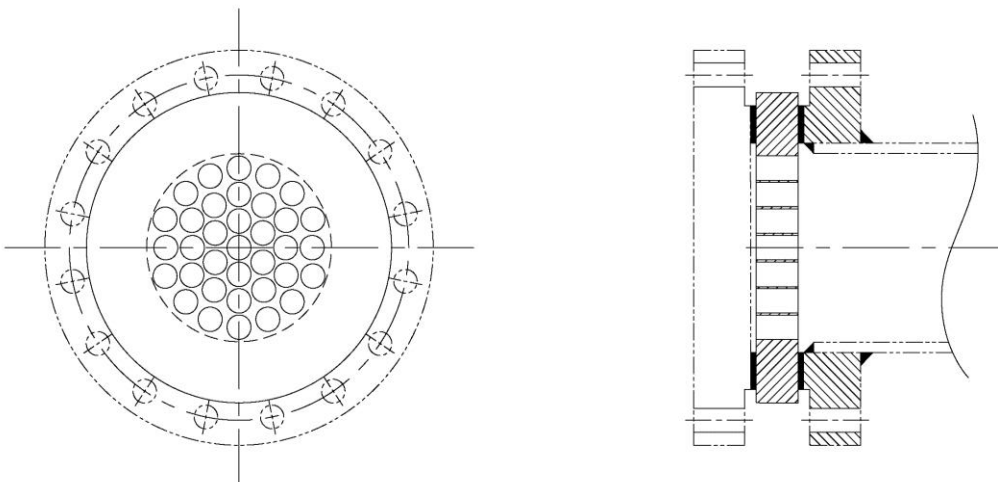
The nests of tubes are symmetrical, with each tube beveled at both ends. Tangents on both ends are welded for maximum strength. Available in C.S or S.S.

Structure and type examples

Straightener bundle tube type KC-7700-SV

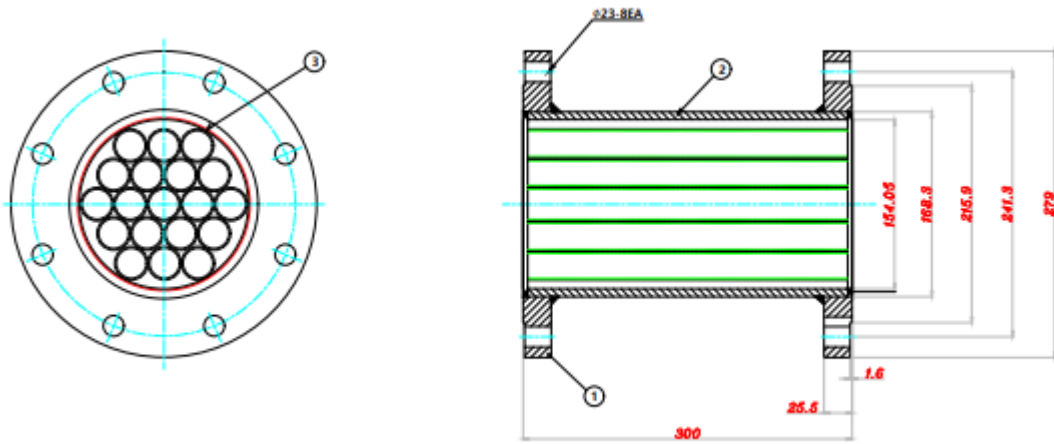


Flow conditioner type KC-7700-FC

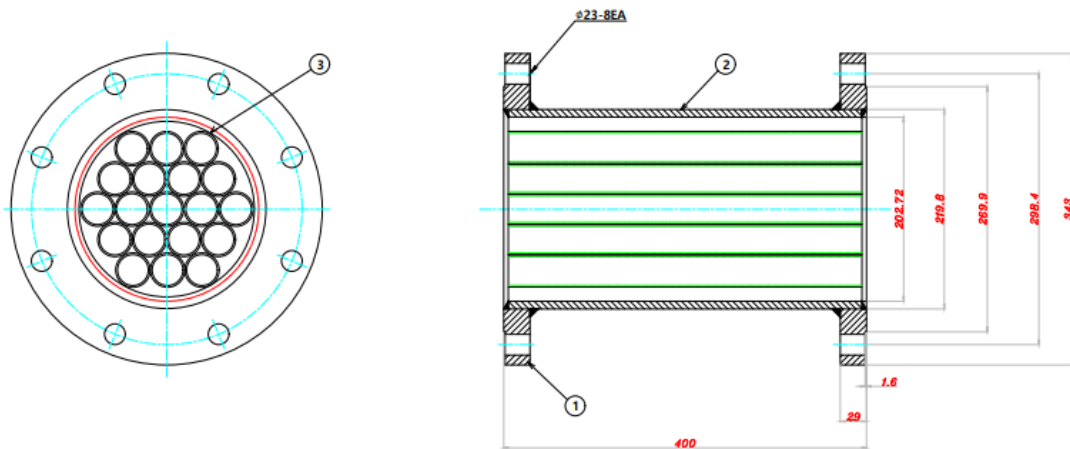


Structure and type 6" & 8" size (approval diagram example)

Straightener bundle tube type 6" ANSI 150# RF



스트레이트너 다발관형 KC-7700-SV 8" ANSI 150# RF



ORDER CODE KC-7700 Series Straightener

KC-7700 – – – – – – –

Type Size F-Rating B-Length F-Mat'l P-Mat'l Option

1 2 3 4 5 6 7

Construction & type	Code 1
Straightening Vanes	SV
Flow conditioner Plate	FC
Others	3
Agency approved specified	W

Bundle Length	Code 4
6" ~ 300 mm	1
8" ~ 400 mm	2
Others	3
Agency approved sepecified	W

Option	Code7
19ea Tube Bundle (std.)	TN
19ea Tube Dwaring (option)	DT
Agency approved specified	W

Line Size	Code 2
1" ~ 20"	()"
Agency approved specified	W

Flange Material	Code 5
Carbon Steel (A105)	C
Stainless Steel 304	F1
Stainless Steel 316	F2
Agency approved specified	W

Flange Rating	Code 3
JIS 10K	1
JIS 20K	2
JIS 30K	3
ANSI 150#	4
ANSI 300#	5
Agency approved specified	W

Pipe / Plate Material	Code 6
Stainless Steel 304	P1
Stainless Steel 316	P2
Others	3
Agency approved specified	W



Golden Rules

• GOLDEN RULES

www.goldenrules.co.kr

Gas & Liquid & Steam

Flow meters & Instruments & Water Analyzer TMS

Specialty Manufacture

Distributor

Certified in accordance with

KC Q ISO 9001 : 2015

KC Q ISO 14001 : 2015

 (주)골든룰