

Precision Programmable, Digital Pressure Transmitter

2-wire Loop-powered

Model :SNP-900



Excellent accuracy & long term stability
LCD bar-graph Percentage(%) display
Programmable digital pressure transmitter

Zero & span adjustable
10 : 1 range turn-down

Easy operation by front keys
A wide range of applications in ;
Chemical & petrochemical process
Hydraulic & pneumatic equipments
Machines tools & automatic machinery
Automation system & plant engineering
Water treatment
Pump & motor controls

GENERAL DESCRIPTION

SNP-900 Digital Pressure Transmitter는 Microprocessor를 내장하여 고기능의 압력측정기기로 산업현장에서 다양한 용도로 사용할 수 있다. 특히 내장된 Piezoresistive Silicone sensor는 고압력에 안정적이고, 정밀하며 내구성이 뛰어나다. Stainless steel구조로 다양한 측정매체에 사용이 가능하며, 압력측정 범위도 매우 넓다. 또한 본 기기는 현장에서 Digital LCD로 측정 값을 표시함과 동시에 어두운곳 원거리에서도 현재 값을 확인할 수 있도록 LCD Bar-graph를 내장하였다.

측정값은 4~20mA 전류 값이외에, 통신 프로토콜 및 통신으로 전송하여 실시간으로 현장 감시가 가능하다. 본 기기는 전면부의 조작키를 이용하여 사용자가 원하는 값을 조정할 수 있으며, 지시창에 있는 key button을 통하여, 측정범위, Zero & Span, 표시사양등을 쉽게 조정할 수 있도록 설계되었다.

TECHINCAL DATA**Input**

Measuring Technology	Piezo-resistive Silicone Sensor
Pressure Reference	Gauge, Absolute, Vacuum & Compound
Pressure Range	-1,000Pa ~ 100Mpa (-0,01 bar ~ 1000 bar) Note) Other ranges are available on request.
Over Pressure Safety	10Mpa \geq 2 × Full scale without damage, 10Mpa \geq 25Mpa \leq 1.5 × Full scale without damage,

Output

Output Signal	4~20mA DC, 2-wire Analog output signal 4~20mA with HART, RS485
Local Display	Back Light LCD Yellow Bar graph
Unit Display	19 Engineering Unit, %, Current Output Value
Electrical Connection	1/2"PF Female

Electrical Specifications

Excitation Voltage	12~24V DC
Load Resistance max.@24V	500ohm at 24V
Influence of Excitation	0.01% FSO/V
Damping Adjustment	0.0~9.9/sec
Ambient temperature	-30 ~ 80°C, -30 ~70°C with LCD
Process temperature	-40 ~ 110°C
Range Turn-down	Max. 10 : 1 of span

Performance Specifications

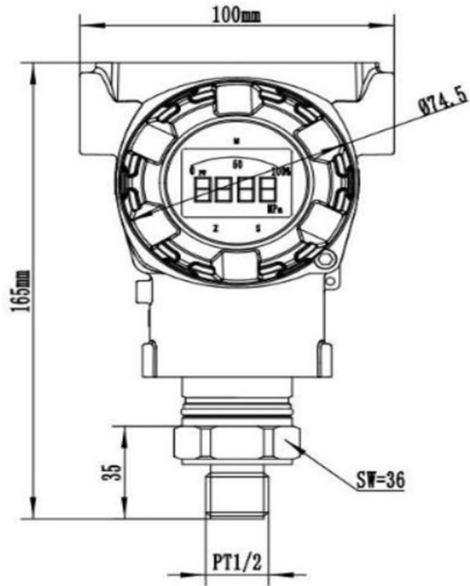
Accuracy	\pm 0.25% FSO \pm 0.2% FSO \pm 0.075% FSO
----------	---

Physical Specifications

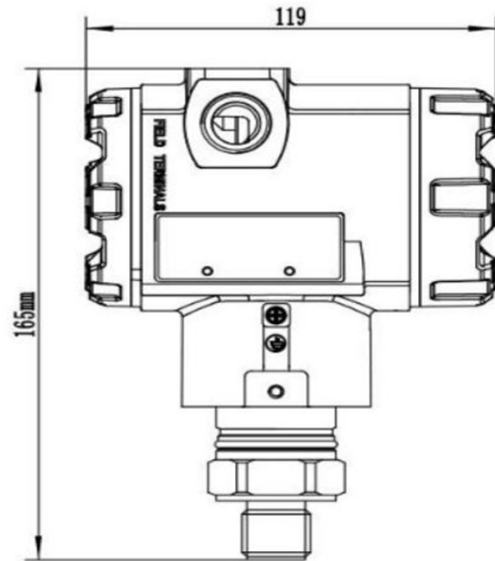
Process Connection	Thread Type : PT, NPT, PF Thread Size : 1/4", 3/8", 1/2" Flange Type : JIS, ANSI, DIN(Flange or "I" flange)
Process Media	Gases & liquids compatible with stainless steel 316
Materials	Case : ALDC Diaphragm : Stainless steel 316L Wetted parts : Stainless steel 316L Note) Wetted part teflon lining on request
Enclosure Rating	IP65,IP67

DIMENSION

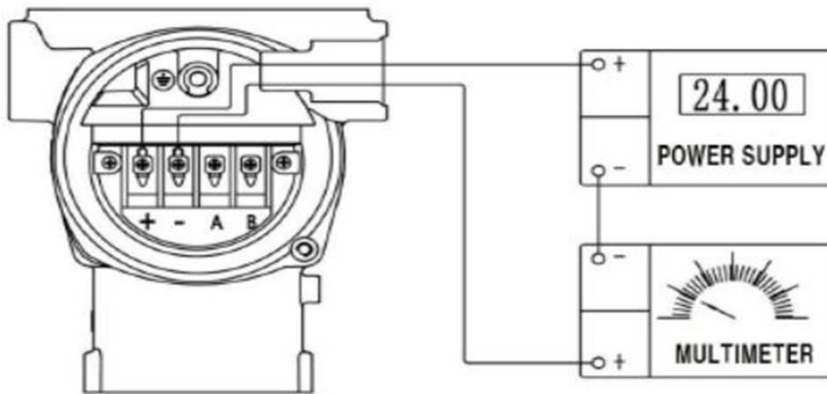
Front View



Side View



Electrical Connection(wiring)



ORDERING INFORMATION

Basic Model
SNP-900

Pressure reference

R	Gauge pressure
A	Absolute pressure
V	Vaccum
C	Compound pressure

Process Connection Type

1	NPT
2	PT
3	PF
4	Other types of connection available on request

Process Connection Size

5	1/4"
6	3/8"
7	1/2"
8	others on request

Range

xxxx(On your Request)

Unit

A	kgf/cm2
B	mmHg
C	bar
D	psi
E	Mpa
F	Kpa
G	Other calibration unit available on request

Accuracy

AS	0.2%FSO
AH	0.1%FSO
AM	0.075%FSO

Output Signal

0	4~20mA ,2-WIRE
1	4~20mA DC with HART Protocol
2	RS 485
3	1~5V DC or 0 ~ 10V DC, 3-wire(Optional)

Option

AA	None
BB	Diaphragm seal
CC	2-Way Manifold V/V
DD	Syphone tube, Dampner(on your choice)

Example) Ordering code: SNP-900-R-1-7-250-C-AS-0-AA



인천광역시 연수구 미래로30, BRC지식산업센터 스마트밸리 A동 1805호
T. 032-817-1240 | F. 032-817-1250 | E. hhm617@hanmail.net