

13

www.goldenrules.co.kr

Golden Rules Co.,Ltd

Gauge Pressure, Absolut pressure
(Liquid, Gas, Vapor)

Smart Pressure Transmitter

KC-9200 Series



The nation's development item, 100% domestic goods, Patent **NO.** 10-1660226

13. Smart Differential Pressure Transmitter

13-2. Smart Pressure Transmitter KC-9200 Series

Features & Specification

- Updating time of output current in 200ms
- Accuracy : $\pm 0.075\%$ of span
- Display : 360° rotation LCD display
- 4-20mA output with direct digital HART communication
- Two years stability of 0.2%
- Parameter setting by keypad directly
- Automatic zero calibration by press-button
- Weather proof housing
- Improved performance, increased accuracy greater stability



KC-9200
Pressure Transmitter

Application

Semiconductor Industry / Steel Industry / Chemical Industry / Environmental engineering / Food / Pharmaceutical / Water Plant / Power Plant / R&D Testing

Description

The KC-9200 Series digital pressure transmitter is a well-developed high-performance pressure transmitter adopting advanced monocrystalline silicon pressure sensor technology. The product uses a diaphragm with double overpressure protection design and internal circuit with anti-surge protection design. It can accurately measure absolute pressure, gauge pressure.

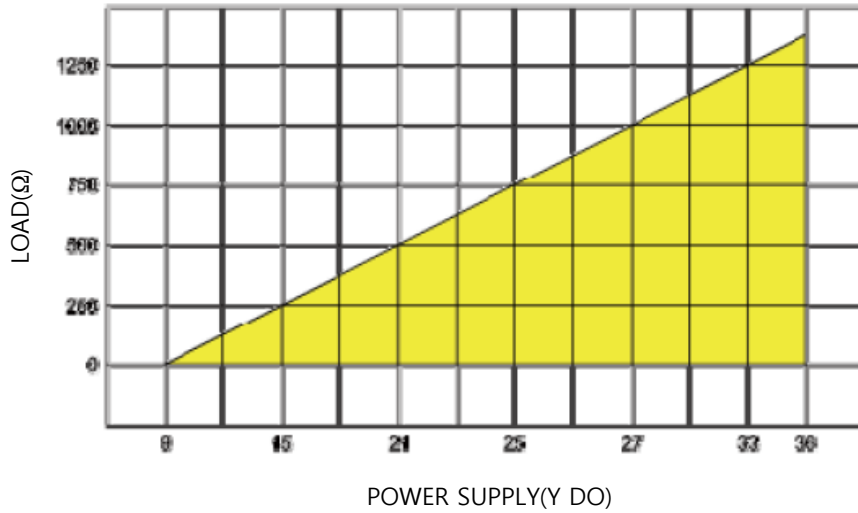
Performance Specification

- Display range : 5-digits programmable & 0-100% Bargraph
- Display Unit : Standard 22 different engineering unit
: 5-digits programmable for special unit
- Keyboard : 3 internal keys for programming and output setting
- Protection Class : IP67(STD.)
- Power Supply : 9 ~ 36V DC
- Current Output : 4~20mA 2-wires with HART Signal(Compatible)
- Digital Communication : HART Protocol
- Damping : 0 – 32 seconds
- Response time : 200mS
- Humidity : 0 – 100% Relative Humidity
- Mounting : Bracket on 2" pipe
- Turn on Time : 2 Seconds with minimum damping
- Cable Entry : M20X1.5P Conduit threads(Female)
- Zero Calibration : Automatic zero calibration by push-button
- Ambient Temperature : -20 °C ~ +60 °C
- Dimensions : 102(W) X 188(H) X 130(D)mm

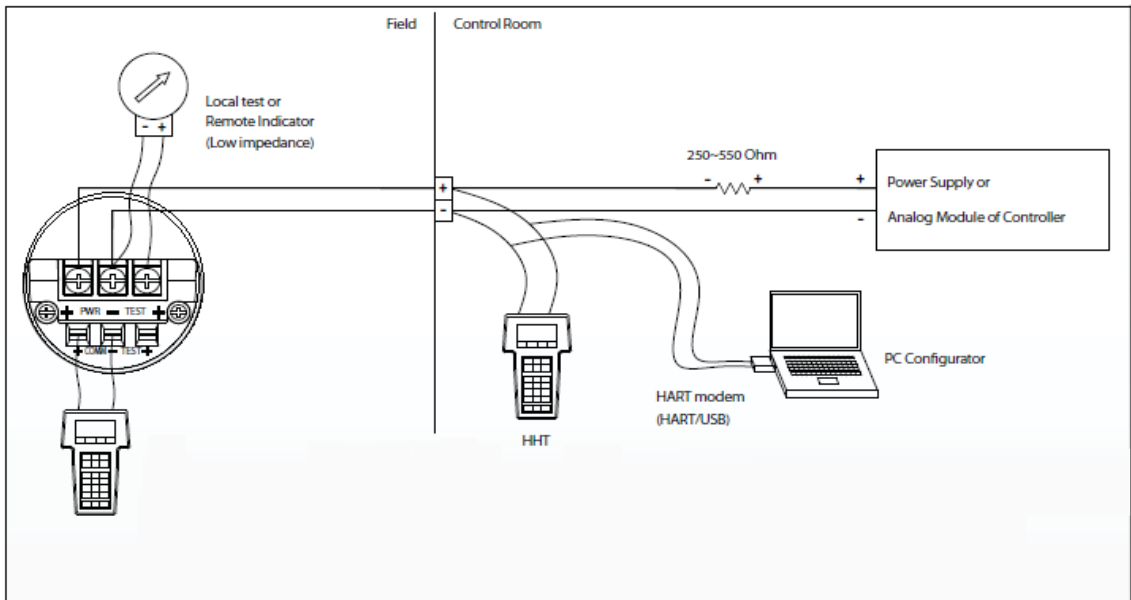
Performance Specification

- Process Fluid : Liquid, Gas or Vapor
- Application : Absolute pressure, Gauge pressure
- Measuring Range : 0 – 10kPa ~ 0 – 30kPa(Min.), 0 – 32MPa ~ 0 – 70MPa(Max.)
- Turndown Ratio : 100:1
- Accuracy : $\pm 0.075\%$ of span
- Stability : $\pm 0.15\%$ of URL for 2 years
- Working Temperature : -40 °C ~ +120 °C
- Max. Pressure : 5801 psi
- Temperature Effect : $\pm 0.18\% \sim 0.5\%$ of span per 20 °C
- Process Connection : $\frac{1}{4}$ " – 18 NPT
 $\frac{1}{2}$ " – 14 NPT(with adapter)
- Material : Flange / Adapter : SUS304 / SUS316
Drain / Vent : SUS304 / SUS316
Diaphragm : SUS316L / Hastelloy C / Tantalum
Housing –ALDC 12, yellow(HW) paint
Process O-Ring : Buna N / Viton / PTFE
- Fill Fluid : Silicon / Fluorine Oil

Supply Voltage vs Loop Load I



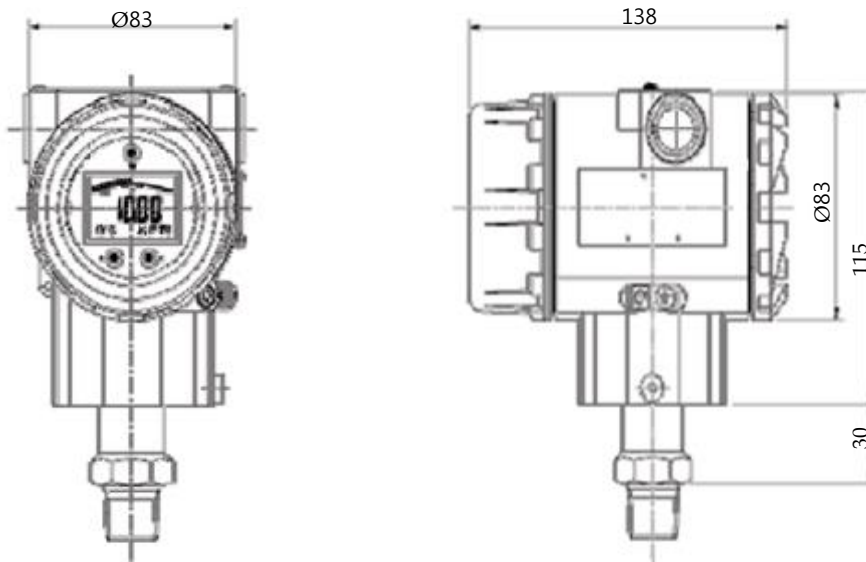
HART Protocol Wiring Diagram II



Measuring Range III

Range Code	Pressure Range				Transmitter	
	Low Range	High Range	Low Range	High Range	Gauge Pressure	Absolute Pressure
2	0 ~ 10 kPa	0 ~ 30 kPa	0 ~ 1020 mmH ₂ O	0 ~ 3059 mmH ₂ O	◆	◆
	0 ~ 100 mbar	0 ~ 300 mbar	0 ~ 40.15 inH ₂ O	0 ~ 120.4 inH ₂ O		
	0 ~ 1.450 psi	0 ~ 4.351 psi	0 ~ 0.102 kg/cm ²	0 ~ 0.306 kg/cm ²		
3	0 ~ 30 kPa	0 ~ 100 kPa	0 ~ 3059 mmH ₂ O	0 ~ 10197 mmH ₂ O	◆	◆
	0 ~ 300 mbar	0 ~ 1000 mbar	0 ~ 120.4 inH ₂ O	0 ~ 401.5 inH ₂ O		
	0 ~ 4.351 psi	0 ~ 14.50 psi	0 ~ 0.306 kg/cm ²	0 ~ 1.020 kg/cm ²		
4	0 ~ 100 kPa	0 ~ 200 kPa	0 ~ 10.20 MH ₂ O	0 ~ 20.39 MH ₂ O	◆	◆
	0 ~ 1000 mbar	0 ~ 2000 mbar	0 ~ 40.15 inH ₂ O	0 ~ 802.9 inH ₂ O		
	0 ~ 14.50 psi	0 ~ 29 psi	0 ~ 1.020 kg/cm ²	0 ~ 2.039 kg/cm ²		
5	0 ~ 200 kPa	0 ~ 700 kPa	0 ~ 20.39 MH ₂ O	0 ~ 71.38 MH ₂ O	◆	◆
	0 ~ 2.0 bar	0 ~ 7.0 bar	0 ~ 802.9 inH ₂ O	0 ~ 2810 inH ₂ O		
	0 ~ 29 psi	0 ~ 101.5 psi	0 ~ 2.039 kg/cm ²	0 ~ 7.138 kg/cm ²		
6	0 ~ 700 kPa	0 ~ 1.7 MPa	0 ~ 71.38 MH ₂ O	0 ~ 173.4 MH ₂ O	◆	◆
	0 ~ 7.0 bar	0 ~ 17.0 bar	0 ~ 2810 inH ₂ O	0 ~ 6825 inH ₂ O		
	0 ~ 101.5 psi	0 ~ 246.6 psi	0 ~ 7.138 kg/cm ²	0 ~ 17.34 kg/cm ²		
7	0 ~ 1.7 MPa	0 ~ 3.5 MPa	0 ~ 173.4 MH ₂ O	0 ~ 356.9 MH ₂ O	◆	◆
	0 ~ 17.0 bar	0 ~ 35.0 bar	0 ~ 6825 inH ₂ O	0 ~ 14051 inH ₂ O		
	0 ~ 246.6 psi	0 ~ 507.6 psi	0 ~ 17.34 kg/cm ²	0 ~ 35.69 kg/cm ²		
8	0 ~ 3.5 MPa	0 ~ 7.0 MPa	0 ~ 356.9 MH ₂ O	0 ~ 713.8 MH ₂ O	◆	◆
	0 ~ 35.0 bar	0 ~ 70.0 bar	0 ~ 14051 inH ₂ O	0 ~ 28102 inH ₂ O		
	0 ~ 507.6 psi	0 ~ 1015 psi	0 ~ 35.69 kg/cm ²	0 ~ 71.38 kg/cm ²		
9	0 ~ 7.0 MPa	0 ~ 32.0 MPa	0 ~ 713.8 MH ₂ O	0 ~ 3263 MH ₂ O	◆	◆
	0 ~ 70.0 bar	0 ~ 320.0 bar	0 ~ 28102 inH ₂ O	0 ~ 128468 inH ₂ O		
	0 ~ 1015 psi	0 ~ 4641.2 psi	0 ~ 71.38 kg/cm ²	0 ~ 326.3 kg/cm ²		
A	0 ~ 32 MPa	0 ~ 70 MPa	0 ~ 3263 MH ₂ O	0 ~ 7137.9 MH ₂ O	◆	◆
	0 ~ 320 bar	0 ~ 700.0 bar	0 ~ 128468 inH ₂ O	0 ~ 281024 inH ₂ O		
	0 ~ 4641.2 psi	0 ~ 10152.6 psi	0 ~ 326.3 kg/cm ²	0 ~ 713.8 kg/cm ²		
Z	Others range available.				◆	◆

Dimension IV



Order Code KC-9200 Series (Pressure Transmitter)

KC-9200 – – – – – P – – V –

Type
Range
D-Mat'l
P-Conn'
N-Mat'l
C-Entry
B-Mat'l
Option

1
2
3
4
5
6
7
8

Pressure Type	Code 1
Gauge Pressure	G
Absolute Pressure	A

Pressure Range	Code 2
0 ~ 10 to 30 kPa	2
0 ~ 30 to 100 kPa	3
0 ~ 100 to 200 kPa	4
0 ~ 200 to 700 kPa	5
0 ~ 700 to 1.7 Mpa	6
0 ~ 30 to 100 kPa	7
0 ~ 1.7 to 3.5 Mpa	8
0 ~ 7.0 to 32 Mpa	9
0 ~ 32 to 70 Mpa	A
Other	Z

Diaphragm Material	Code 3
Stainless Steel 316L	N
Tantalum	T
Other	Z

Process Connection	Code 4
1/2" NPT	N
1/2" PT	P
Other	Z
Agency approved specified	W

Name Plate Material	Code 5
Carbon Steel	N
Stainless Steel 316	S

Cable Entry	Code 6
M20 X 1.5P Conduit Threads	1
1/2" NPT (Female)	2

Mounting Bracket Material	Code 7
None	N
Stainless Steel 304	4
Stainless Steel 316	6
Agency approved sepcified	W

Option	Code 8
None	NN
Explosion proof(Ex d IIC T6)	Ex
HART Signal(Compatible)	HT
Others	ZZ

* When placing an order, selected ordering number should be indicated on the purchase order sheet.

* Specifications are subject to change without notice.



Golden Rules

• GOLDEN RULES

www.goldenrules.co.kr

Gas & Liquid & Steam

Mass & Magnetic & Total Flowmeter

Specialized manufacturer

Distributor

Certified in accordance with

KC Q ISO 9001 : 2015

KC Q ISO 14001 : 2015

 (주)골든룰