

# 02

[www.goldenrules.co.kr](http://www.goldenrules.co.kr)

## Golden Rules Co.,Ltd

Thermal Mass Flow Meter  
Specialty Manufacture  
Bio Gas

KC-2600BI

## Thermal Mass Flow Meter



The nation's development item, 100% domestic goods, Patent **NO.** 10-1660226



## 2. THERMAL MASS FLOW METER (Bio Gas)

### 2-1 Insertion type KC-2600 Series

#### Insertion Type Thermal Mass Flowmeter



#### Features

- Rate & total, volume, mass flow indication
- Input Power DC 24 V or 100-240VAC
- Output accuracy  $\pm 0.1\%$ ,  $\pm 2.5\ \mu\text{A}$  (4~20 mA)
- Field validation of flowmeter calibration settings  
Smart program interface (RS-485 standard)
- Direct mass flow monitoring eliminates need for Temperature and pressure compensation
- Simple signal Processing & calibration
- Excellent reproducibility
- Excellent long-term stability
- Best price-performance ratio
- Easy adaptable for different application or into housings
- No mechanical moved components
- Greatly reduces upstream piping requirements (7-5D)
- Outstanding range ability (Turn down ratio 1000:1)
- 0.1-second response to changes in flow rate
- Ex(IP66), KC

무게	방폭	일반
	5.56kg	3.5kg

#### 제품소개

Golden Rules' KC-2600BI Series Smart inline mass flowmeter accommodates the change measurement Requirements and instrument-validation demands of fluid flow monitoring installations.

The versatile microprocessor-based transmitter integrates the function of flow measurement, flow-range Adjustment, meter validation and diagnostics, in either a probe-mounted or remote housing.

Mass flow rate and totalized flow, as well as other configuration variables are displayed on the meter's optional 2X16 LCD panel. The programmable transmitter is easily configured via an RS-485 communication port and Golden Rules Smart interface software, or via the display and magnetic switches in the instrument panel.

The Golden Rules KC-2600BI Series allows you to configure or change the following parameters: flow range, Totalize, time response, low flow cutoff and a calibration correction factor that compensates for flow profile Flow variations. Golden Rules's Smart interface software guides you through a procedure to fully validate Instrument performance. The meter is available with variety of input signal, mounting and packaging option.

**Performance Specifications**

- ◆ **Accuracy of Point Velocity**  
±1.0% of Reading (Option : ±0.5 % of RD)
- Repeatability**  
±0.2 % of Full Scale
- ◆ **Temperature Coefficient**  
±0.03 % Reading / ±(10 ~ 38) °C  
±0.06 % Reading / ±(25 ~ 50) °C
- ◆ **Pressure Drop**  
It can be ignored within ± 50 psig (3.4 barg)
- ◆ **Response Time**  
1 second 63% of final velocity value
- ◆ **Measuring Range**  
0.01 ~ 66.2 m/sec
- ◆ **Function**  
Rate & Total

**Mass Flow Rates**

Air Flow Ranges					
Pipe Size (배관경)		Minimum (최소)		Maximum (최대)	
A	B	Scfm	Nm <sup>3</sup> /h	Scfm	Nm <sup>3</sup> /h
25A	1-inch	6	8.9	120	180
40A	1½-inch	15	22	280	440
50A	2-inch	23	33	470	680
80A	3-inch	50	74	1000	1500
100A	4-inch	90	130	1800	2700
150A	6-inch	200	300	4000	5900
200A	8-inch	350	520	7000	10,000

Notes: (1) 공기와 질소 유량 표준 조건:21°C(70°F) 및 21°C(70°F) scfm:0°C, Nm<sup>3</sup>/h 1기압, 기타 가스는 공장에 문의  
(2)사용 가능한 플로우차트가 구비되어 있으며, 공장에 문의  
(3)최대 유량은 위험구역과 높은 온도 버전으로 제한되며 공장에 문의

**Operating Specifications**

- ◆ **Fluid**  
Bio gas & Mixed gas
- ◆ **Pressure (limitation)**  
Compression Fittings : 508 psig (35 barg) option  
150 lb Flange, JIS 10k RF PN16 (DN) : (-40 ~ 150) °F ((-40 ~ 65) °C)  
: 230 psig (16 barg)  
Low Pressure Retract Valve : 100 psig (7 barg)  
High Pressure Retract Valve : 1000 psig (70 barg)
- ◆ **Pressure Drop**  
It can be safely ignored for pipes over 3 inches.
- ◆ **Fluid & Ambient temp'**  
Gases : (-40 ~ 302) °F ((-40 ~ 150) °C)  
Ambient : (-4 ~ 185) °F ((-20 ~ 85) °C)
- Gas accumulation range**  
Up to 5 X 10<sup>-4</sup> with helium gas
- ◆ **Input Power (selection)**  
DC24 V ±10 %, 200 mA  
100 ~ 240 V AC ±10 %, 10 watts

**◆ Output Signal (Standard)**

Linear (4 ~ 20) mA & Pulse

**◆ Display**

Alphanumeric 2 X 16 backlight LCD

Adjustable variables via remote control switch or Smart interface software

Adjustable : Full scale : (0 ~100) %

Flow: m<sup>3</sup>/h(m<sup>3</sup>), L/h(L), mL/h(mL), kg/h(kg)

Time response 1 ~ 7 sec / Correction factor setting 0.5 ~ 5 /

Zero & Span

**◆ Totalizer**

Seven digits (9,999,999,999 Count) in engineering units Reset table by

Software or remote control switch

**◆ Software**

Smart interface Windows® -based Software 8MB RAM of RAM, preferred 16MB of RS-485 communication

Additional features: Zero cut-off adjustment / Linearization adjustment / Save / Load configuration / For meter validation

**Physical Specification****Wetted Materials**

Sensor Probe – Ceramic + 303SS(Platinum) Option : 316SS, 316LSS

Protection Tube – 303SS (Option : 316SS, 316LSS)

**◆ Enclosure**

Hazardous-Area CASE (Ex d[ib] IIC T4 : IP66)

General-Area CASE (IP67)

**◆ Electrical Connection**

2 X ½"PF or Ex Cable Gland(SS) 22C

**◆ Mounting (Selection)**

¾" Compression Fitting & ¾" Male NPT (Standard)

ANSI 150lb Flange, JIS 10k RF Flange

¾" Compression Fitting & 1" Male NPT (Option)

Ball Valve System (Option)

**◆ Certification**

Ex (Ex d[ib] IIC T4)

CE (CASE)

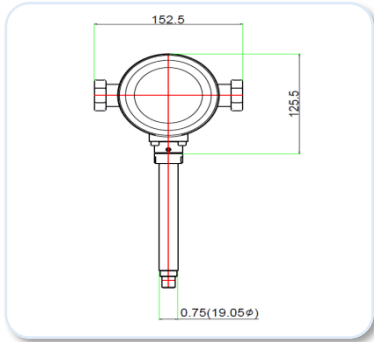
KGS Certificate

KC Certificate

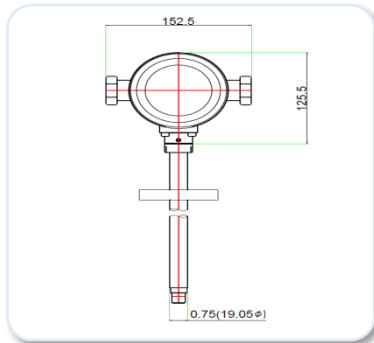
## Dimensional Spec' & Chart I

### General type KC-2610BI (IP67)

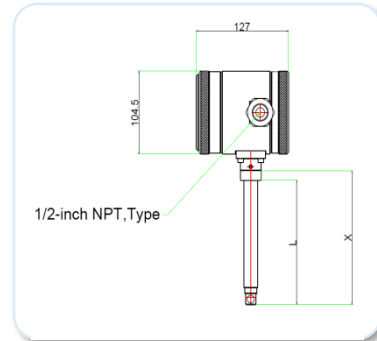
● Compression Fitting – Front View (EN2)



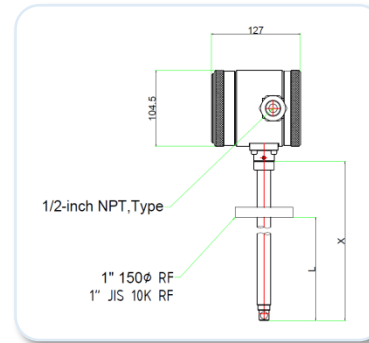
● Flange Mounting – Front View (EN2)



● Compression Fitting – Side View (EN2)

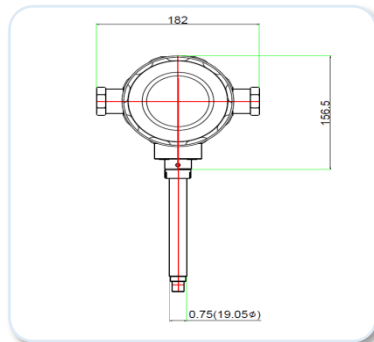


● Flange Mounting – Side View (EN2)

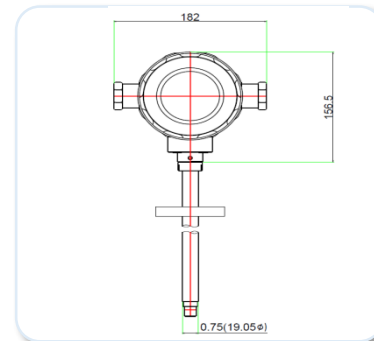


### Ex-proof type KC-2620Ex (IP66)

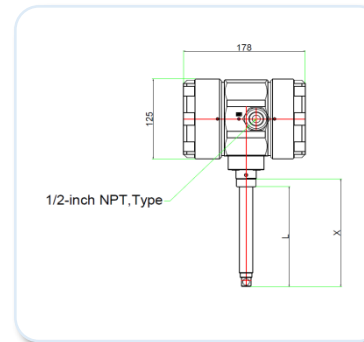
● Compression Fitting – Front View (E2)



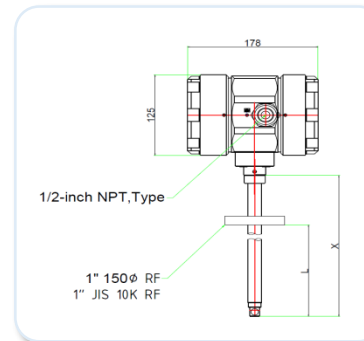
● Flange Mounting – Front View (E2)



● Compression Fitting – Side View (E2)



● Flange Mounting – Side View (E2)

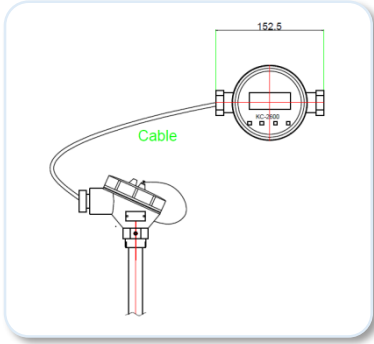


The shape of the sensor and Housing manufacturers are Subject to Change.

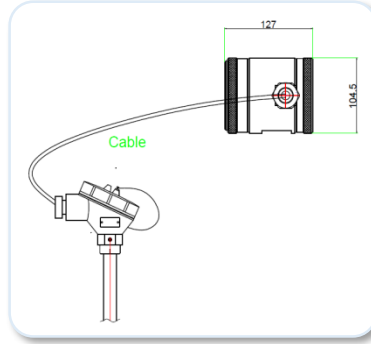
## Dimensional Spec' & Chart II

### ♣ Genreal Remote KC-2610BI-R

● Remote Mount Junction Box – Front View (EN4)

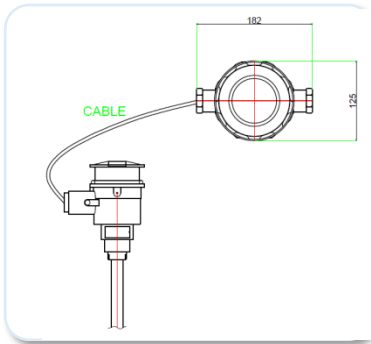


● Remote Mount Junction Box – Side View (EN4)

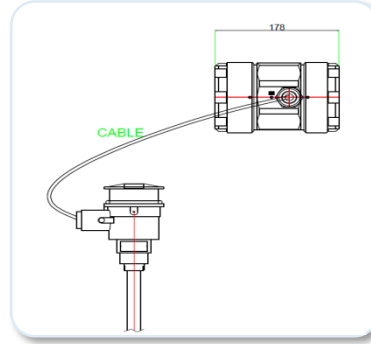


### ♣ Ex-proof Remote type KC-2610Ex-R

● Remote Mount Junction Box – Front View (E4)



● Remote Mount Junction Box – Side View (E4)



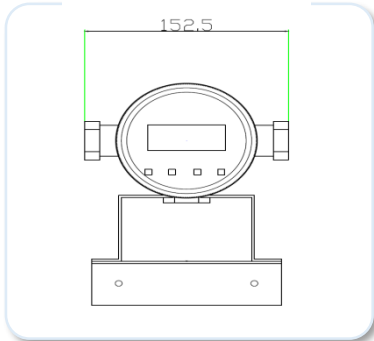
Length Chart		
Code	L	X
L06	6.0 (152.4)	7.5 (190.5)
L09	9.0 (228.6)	10.5 (266.7)
L13	13.0 (330.2)	14.5 (368.3)
L18	18.0 (457.2)	19.5 (495.3)
L24	24.0 (609.6)	25.5 (647.7)
L36	36.0 (914.4)	37.5 (952.5)

※ The shape of the sensor and Housing manufacturers are Subject to Change.

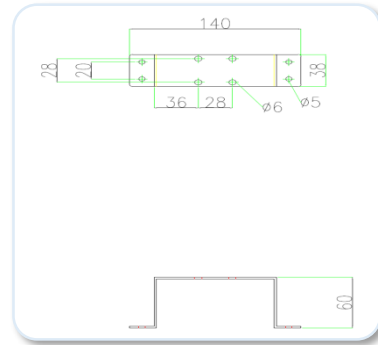
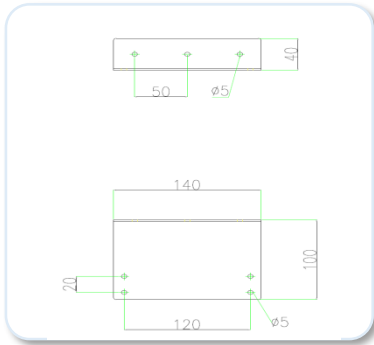
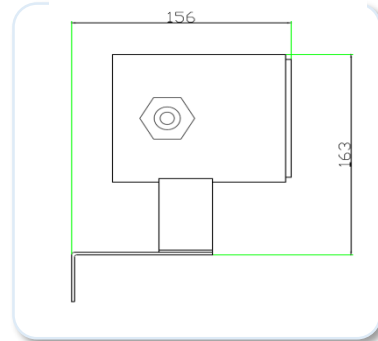
## Dimensional Spec' & Chart

### General Remote type KC-2610BI-R

● Remote Rear Bracket Electronics (EN4)



● Remote Side Bracket Mounted Electronics (EN4)

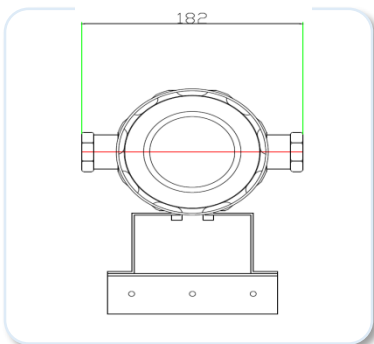


Panel mounting bracket 1

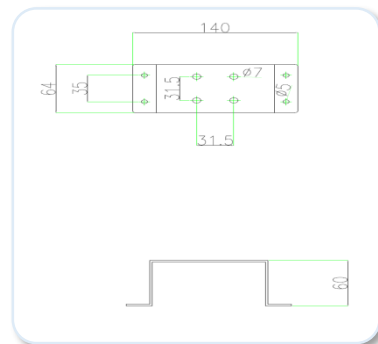
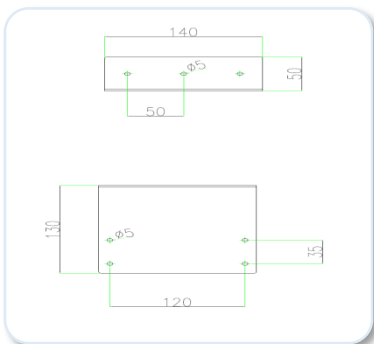
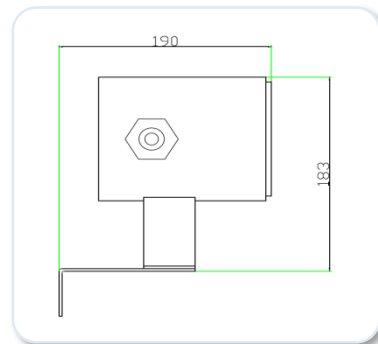
Panel mounting bracket 2

### Ex-proof Remote type KC-2610Ex-R

● Remote Rear Bracket Electronics (E4)



● Remote Side Bracket Mounted Electronics (E4)



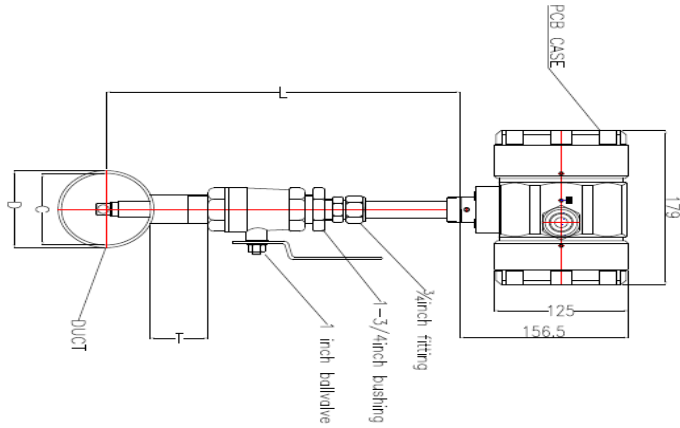
Panel mounting bracket 1

Panel mounting bracket 2



## Low Pressure Ball Valve Dimensiona

●side view



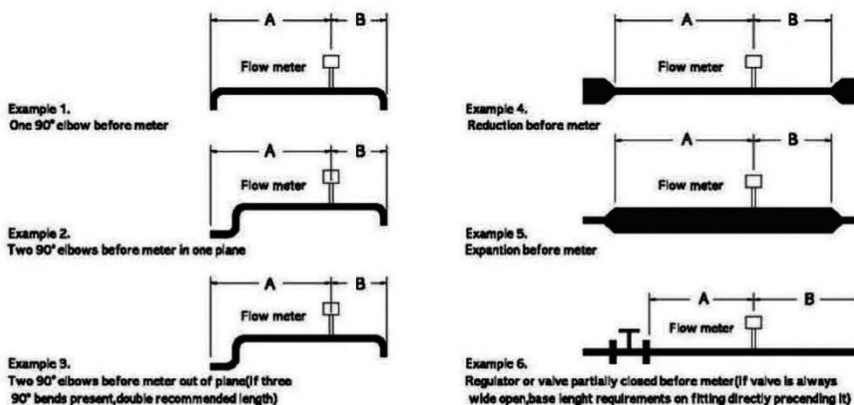
**VARIABLE**

- L = Normal Probe Length
- D = Duct O.D
- C = Duct I.D
- T = Height of "Threadolet" or Customer provided weldolet

All dimensions are inches. Millimeters are in parentheses.  
 All drawings save a ±0.25 inch(6.4 mm) tolerance. Certified and available be on request.

## Upstream & Downstream dimension (KC-2600BI insert)

Select an installation that minimize possible distortion in the flow profile, Valves, elbows, control valves and other piping components may cause flow disturbances. Check your specific piping condition against the examples shown below. In order to achieve accurateness and repeatable performance install the flow meter using the recommended number of straight run pipe diameters upstream and downstream of the sensor.



Example	A-Upstream(1)Requirements	B-Downstream(2)Requirements
1	10-7D	5-3D
2	15-10D	5-3D
3	20-15D	10-5D
4	10-7D	5-3D
5	20-15D	10-5D
6	20-15D	5-3D

(1)Number of diameter(D)of straight pipe required between upstream disturbance and the flow meter.  
 (2)Number of diameter(D)of straight pipe required downstream of the flow meter.

## Order Code KC-2600BI Series (Bio Gas insertion)

형식 KC-26    - L   - M   - E   - P   - V   -    -    -    -    -    -   

1                      2 3                      4 5                      6 7                      8                      9                      10                      11                      12                      13                      14                      15

Type	Code 1	Input power	Code 8	Calibration <sup>2</sup>	Code 13
IP67 or IP65	10BI	DC 24 V ±10 %, 200 mA	2	70 °F(21 °C) 14.7 psig (1.103 barg)	A
Hazardous-Area Location Enclosure	20Ex	AC 100 ~ 240 V ±10 % (옵션)	3	32 °F(0 °C) 1 atm (760 mmHg)	B
Agency approved, customer specified	30	Agency approved, customer specified	W	Agency approved, customer specified	W

Insert length <sup>4</sup>	Code 2,3	Output	Code 9	Pressure limit	Code 14
6" (15 cm)	06	RS-485S (RS-232C)	1	Low pressure Below 43 psig (3 barg)	L
9"	09	Pulse, Alarm	3	Medium pressure Below 145 psig (10 barg)	M
12"	12	DC 4~20 mA, 0~5 V DC	4	High pressure Below 435 psig (30 barg)	H (option)
18"	18	Agency approved, customer specified	W		
24"	24				
36"	36				
Special Length	(in)	Display	Code 10		
Probe with 2" JIS 10k RF Flange	(in)-M5	No Readout	NR		
High Pressure with Retractor Valve	(in)-M9	Digital Display	DD		
Agency approved, customer specified	W	Agency approved, customer specified	W		
				Option	Code 15
				Agency approved, customer specified	W
				Mail : sensor tube 316ss, 316Lss	

Mounting	Code 4,5
None	0
Compression Fitting <sup>2</sup> (3/4" tube X 3/4" Male NPT)	10
Threadlet (3/4" Female NPT) Specify pipe O.D. in parentheses	2( )
Compression Fittings (IP67) (1/2" tube X 3/4" Male NPT)	3
Curved Duct Bracket (3/4" tube Compression Fitting) Specify duct O.D. in Parentheses	4( )
Low Pressure Retract Valve Specify duct O.D. in parentheses	8( )
Compression Fittings (3/4" tube X 1" Male NPT)	15( )
Agency approved, customer specified	W

Enclosure <sup>5</sup>	Code 6,7
Hazardous-Area Location Enclosure	2
Remote Hazardous-Area Location Enclosure(Only with Ex Meter)	3(Ft)
Remote Hazardous-Area Location Enclosure(Only with Junction Box)	4(Ft)
IP67 or IP65	N2
Remote IP67 with Junction Box	N4(Ft)
Agency approved, customer specified	W

Flow direction	Code 11
Horizontal Free or Vertical UP	1
Horizontal Free or Vertical Down	2
Agency approved, customer specified	W

Calibration <sup>1</sup>	Code 12
Standard Calibration	A
Air, only for 3" and large pipe size	
Compressed Air, only for 3" and large pipe size	D
Customer Calibration	B
Air	
Air equivalency (Digester Gas, Flue, Gas etc.)	C
Nitrogen, Helium, Argon, Carbon Dioxide Compressed Air or Digester Gas	E
Hydrocarbon (Natural Gas, Methane, Ethane, Propane etc.)	F
Hydrogen or Hydrogen Mixture	G
Agency approved, customer specified	W

**Note**

- Flange is tapped and threaded on the compression fitting
- The male connector is permanently tightened with ferrule of two combined materials
- Flange must be ANSI or DIN specification
- Maximum length is 60-inch(1524mm)
- Enclosure required for agency approvals, T6 rate at 40°C
- Wire resistance must be less than 8 ohms
- Turndown ratio is 100:1 min. & 1000:1 max.
- SFPS is the abbreviation for standard feet per second at 14.7psia(1.01 bar(a) & 70°F (21.1°C)
- Customer specified calibration must not exceed temperature & pressure limitations of the 2610BI, 2620Ex Series products specifications

# 02

[www.goldenrules.co.kr](http://www.goldenrules.co.kr)

## Golden Rules Co.,Ltd

Thermal Mass Flow Meter  
Specialty Manufacture  
Bio Gas

KC-2600BF

### Thermal Mass Flow Meter



The nation's development item, 100% domestic goods, Patent NO. 10-1660226



# 1. THERMAL MASS FLOW METER (Bio Gas)

## 2-2 Inline type KC-2600 Series

### Inline Type Thermal Mass Flowmeter



### Features

- Rate & total, volume, mass flow, indication
- Input Power DC 24 V or 100-240VAC
- Output accuracy  $\pm 0.1\%$ ,  $\pm 2.5 \mu A$  (4~20 mA)
- Field validation of flowmeter calibration settings  
Smart program interface (RS-485 standard)
- Direct mass flow monitoring eliminates need for Temperature and pressure compensation
- Simple signal Processing & calibration
- Excellent reproducibility
- Excellent long-term stability
- Best price-performance ratio
- Easy adaptable for different application or into housings
- No mechanical moved components
- Greatly reduces upstream piping requirements (7-5D)
- Outstanding range ability (Turn down ratio 1000:1)
- 0.1-second response to changes in flow rate
- Ex(IP66), KC

### Description

Golden Rules' KC-2600 Series Smart inline mass flowmeter accommodates the change measurement Requirements and instrument-validation demands of fluid flow monitoring installations.

The versatile microprocessor-based transmitter integrates the function of flow measurement, flow-range Adjustment, meter validation and diagnostics, in either a probe-mounted or remote housing.

Mass flow rate and totalized flow, as well as other configuration variables are displayed on the meter's optional 2X16 LCD panel. The programmable transmitter is easily configured via an RS-485 communication port and Golden Rules Smart interface software, or via the display and magnetic switches in the instrument panel.

The Golden Rules KC-2600 Series allows you to configure or change the following parameters: flow range, Totalize, time response, low flow cutoff and a calibration correction factor that compensates for flow profile Flow variations. Golden Rules's Smart interface software guides you through a procedure to fully validate Instrument performance. The meter is available with variety of input signal, mounting and packaging option.

**Performance Specification**

- ◆ **Accuracy of Point Velocity**  
±1.0% of Reading (Option : ±0.5 % of RD)
- ◆ **Repeatability**  
±0.2 % of Full Scale
- ◆ **Temperature Coefficient**  
±0.03 % Reading / ±(10 ~ 38) °C 내에서 °C  
±0.06 % Reading / ±(25 ~ 50) °C 내에서 °C
- ◆ **Pressure Drop**  
It can be ignored within ± 50 psig (3.4 bara).
- ◆ **Response Time**  
1 second 63% of final velocity value
- ◆ **Measuring Range**  
0.01 ~ 66.2 m/sec
- ◆ **Function**  
Flow & Total

**Mass Flow Rates (질량유량)**

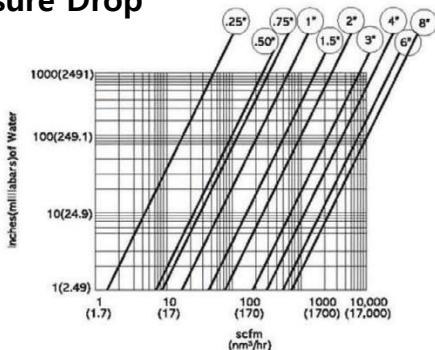
Air Flow Ranges (공기 유량 범위)							
Pipe Size (배관경)		Minimum (최소)		Maximum (최대)		Weight	
A	B	Scfm	Nm <sup>3</sup> /h	Scfm	Nm <sup>3</sup> /h	방폭	일반
8A	1/4-inch	0.5	0.7	9	14	5kg	3kg
15A	1/2-inch	2	3.0	40	60	5kg	3kg
20A	3/4-inch	4	5.9	75	120	5kg	3kg
25A	1-inch	6	8.9	120	180	6kg	4kg
40A	1 1/2-inch	15	22	280	440	7.2kg	5.2kg
50A	2-inch	23	33	470	680	8.6kg	6.6kg
80A	3-inch	50	74	1000	1500	11kg	9kg
100A	4-inch	90	130	1800	2700	16.2kg	14.2kg
150A	6-inch	200	300	4000	5900		
200A	8-inch	50	520	7000	10,000		

Notes: Air or N2 Flow Standard Condition : 21°C(70°F) & 21°C(70°F) scfm: 0°C, Nm<sup>3</sup>/h 1atm

**Operating Specification**

- ◆ **Fluid**  
Bio gas & Mixed gas
- ◆ **Pressure (limitation)**  
Compression Fittings : 508 psig (35 barg) option  
150 lb Flange, JIS 10k RF PN16 DIN (-40 ~ 150) °C (-40 ~ 302) °F : 230 psig (15.9 barg)  
150 lb Flange, JIS 10k RF PN16 DIN 121 °C (250 °F) : 185 psig (12.8 barg)  
150 lb Flange, JIS 10k RF PN16 DIN 400 °C (752 °F) : 155 psig (10.7 barg)  
NPT -40 ~ 150 °C ((-40 ~ 302) °F) : 508 psig (35 barg)  
High Pressure Retract Valve : 1000 psig (70 barg)

◆ **Pressure Drop**



**◆ Fluid & Ambient temp'**

Gases : (-40 ~ 302) °F ((-40 ~ 150) °C)

Ambient : (-4 ~ 185) °F ((-20 ~ 85) °C)

**◆ Input Power (selection)**

DC24 V ±10 %, 200 mA

(100 ~ 240) V AC ±10 %, 10 watts

**◆ Output Signal**

Linear (4 ~ 20) mA & Pulse

**◆ Display**

Adjustable variables via remote control switch or Smart interface software

Adjustable : Full scale : (0 ~100) %

Flow: m<sup>3</sup>/h(m<sup>3</sup>), L/h(L), mL/h(mL), kg/h(kg)

Time response 1 ~ 7 sec / Correction factor setting 0.5 ~ 5 /

Zero & Span

**Totalizer**

Seven digits (9,999,999,999 Count) in engineering units Reset table by Software or remote control switch

**◆ Software**

Smart interface Windows® -based Software 8MB RAM of RAM, preferred 16MB of RS-485 communication

Additional features: Zero cut-off adjustment / Linearization adjustment / Save / Load configuration / For meter validation

**Physical Specification****◆ Wetted Part Mat'l**

Sensor Probe – Ceramic + 303SS (Platinum) Option : 316SS, 316LSS

Flow Body – 304SS (Option 316SS, 316LSS)

**Enclosure**

Hazardous-Area CASE (Ex d[ib] IIC T4 : IP66)

General-Area CASE (IP67)

**◆ Electrical Connection**

2 X ½"NPT or Exp Cable Gland(SS) 22C

**◆ Mounting (selection)**

¾" Compression Fitting과 ¾" Male NPT (Standard)

ANSI 150lb Flange, JIS 10k RF Flange (Option)

¾" Compression Fitting과 1" Male NPT (Option)

Ball Valve System (Option)

**◆ Certification**

Ex (Ex d[ib] IIC T4)

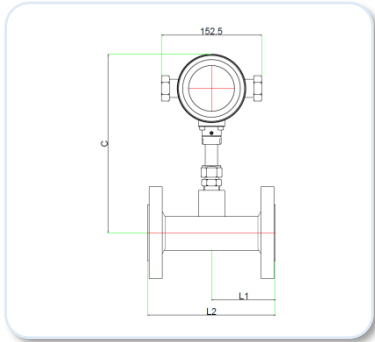
CE (CASE 전체)

KGS Certificate

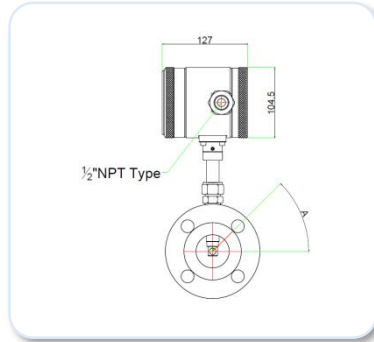
KC Certificate

**I Dimension Spec' & Chart I General KC-2610GF (IP67)**

● 1 1/2,"부터 8" 150lb & JIS 10k RF Flange  
- Front View (EN2)

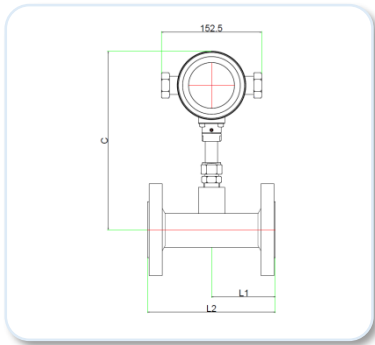


● 1 1/2,"부터 8" 150lb & JIS 10k RF Flange  
- Side View (EN2)

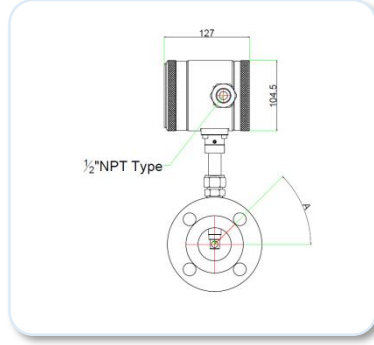


Size for ANSI 150lb Flange				
Size	C	L1	L2	A
1.5 inch	283.5	101.5	203	45°
2 inch	283.5	101.5	203	45°
3 inch	344.6	127	254	45°
4 inch	344.6	127	254	22.5°
6 inch	344.6	127	254	22.5°
8 inch	404.6	127	254	22.5°

● DIN Flange - Front View (EN2)



● DIN Flange - Side View (EN2)

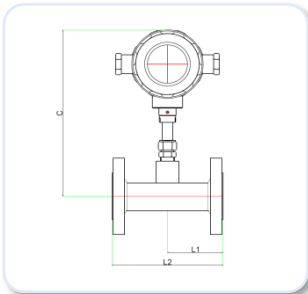


Size for DIN PN16 Flange			
Size	C	L1	L2
DN40	283.5	101.5	203
DN50	283.5	101.5	203
DN80	344.6	127	254
DN100	344.6	127	254
DN150	344.6	127	254
DN200	404.6	127	254

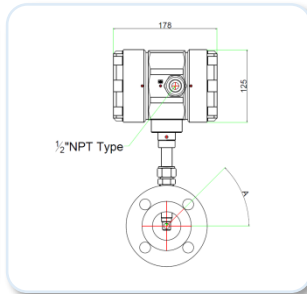
**Dimensional Specification & Chart II Ex-proof**

**General Remote type KC-2610BF-R**

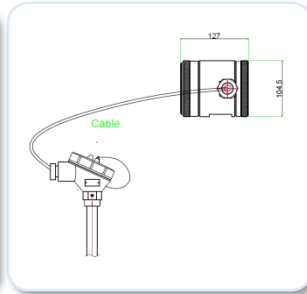
● 1 1/2,"부터 8" 150lb & JIS 10k RF Flange  
- Front View (EN2)



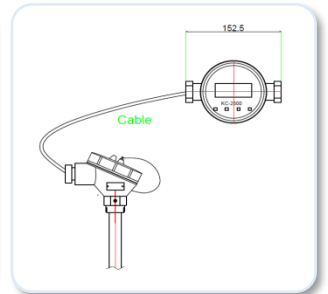
● 1 1/2,"부터 8" 150lb & JIS 10k RF Flange  
- Side View (EN2)



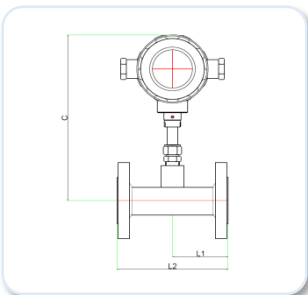
● Remote Mount Junction Box  
- Front View (EN4)



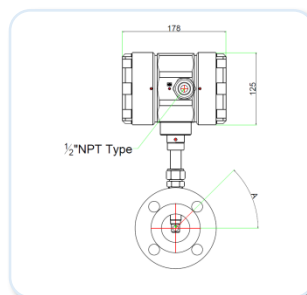
● Remote Mount Junction Box  
- Front View (EN4)



● DIN Flange - Front View (E2)

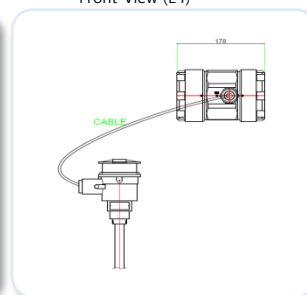


● DIN Flange - Side View (E2)

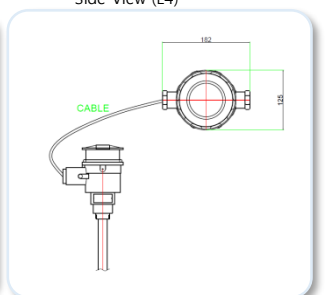


**Ex-proof Remote type KC-2620Ex-R**

● Remote Mount Junction Box  
- Front View (E4)



● Remote Mount Junction Box  
- Side View (E4)



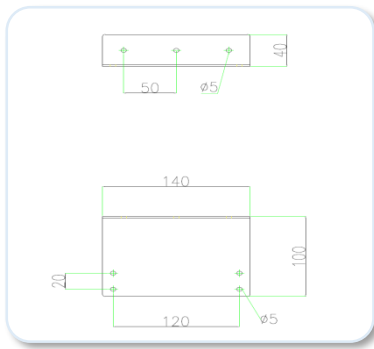
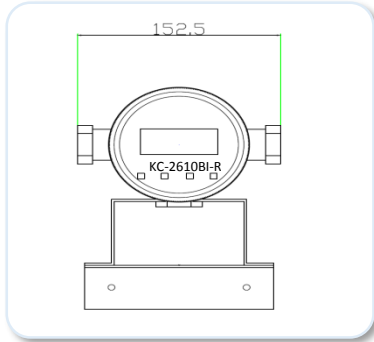
※ The shape of the sensor and Housing manufacturers are Subject to Change.



## Dimensional Specification & Chart II (IP67)

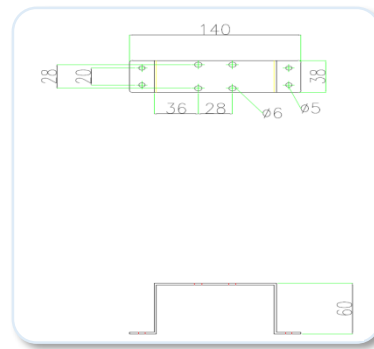
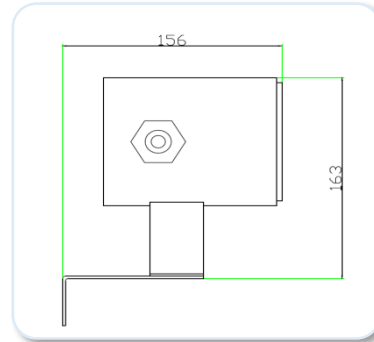
### General Remote type KC-2610BF-R

● Remote Rear Bracket Electronics (EN4)



● panel mounting bracket 1

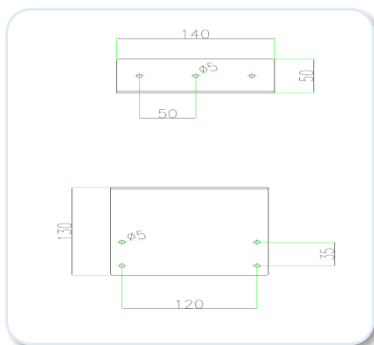
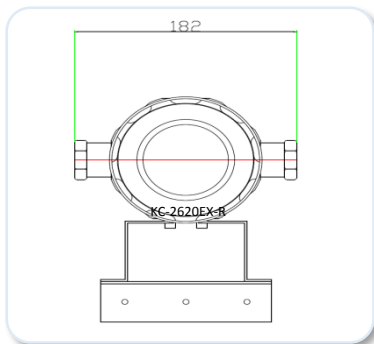
● Remote Side Bracket Mounted Electronics (EN4)



● panel mounting bracket 2

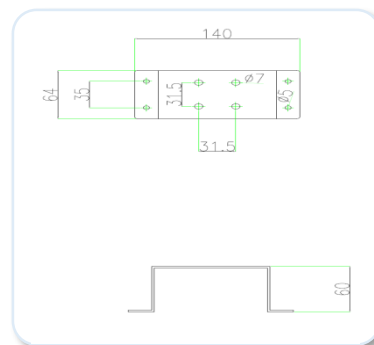
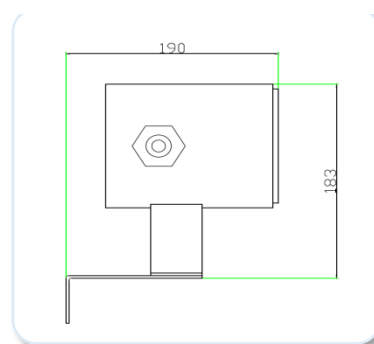
### Ex-proof Remote type KC-2620EX-R

● Remote Rear Bracket Electronics (EN4)



● panel mounting bracket 1

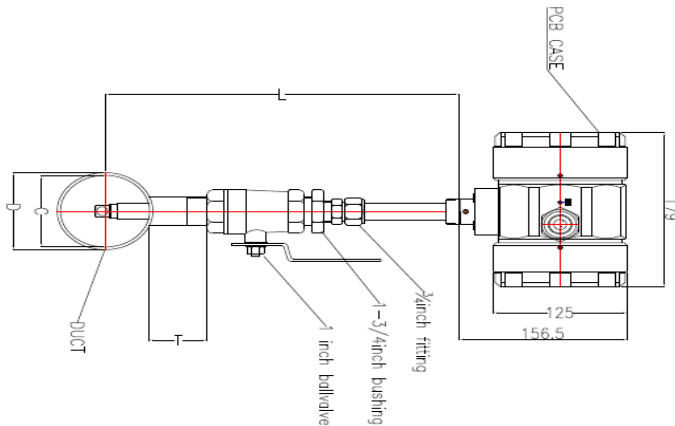
● Remote Side Bracket Mounted Electronics (EN4)



● panel mounting bracket 2

## Ball Valve Low Pressure Ball Valve Dimensional & Chart III

●side view



**VARIABLE**

L = Normal Probe Length  
 D = Duct O.D  
 C = Duct I.D  
 T = Height of "Threadolet" or Customer provided weldolet

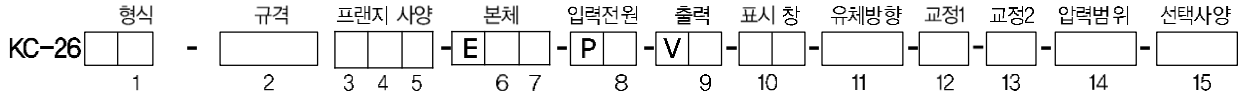
±0.25 inch(6.4 mm) or ±0.25 All dimensions are inches. Millimeters are in parentheses. All drawings save a ±0.25 inch(6.4 mm) tolerance. Certified and available be on request.

## Piping Requirement (KC-2600BF inline type)

Straight Pipe Length Requirements at 1 atm			
Piping condition	KC-2600 Smart- IN™		Orifice Plate(3)
	Upstream(1)	Downstream(2)	
90° Elbow or T-Piece	10D	5D	28D
Reduction (4:1)	10D	5D	14D
Expansion (4:1)	10D	5D	30D
After Control Valve	10D	5D	32D
Two 90° Elbows (in same plane)	10D	5D	36D
Two 90° Elbows (in same plane)	10D	5D	62D

Note : (1) Number of diameters (D) of straight pipe required between upstream disturbance and the flowmeter.  
 (2) Number of diameters (D) of straight pipe required downstream of the flowmeter.  
 (3) For comparison purposes only. Table shows number of diameter(D) of upstream straight pipe length required for an ISO Standard 5167 Orifice plate with a beta ration of 0.7  
 (4) Consult factory for pressure effects.

## Order Code KC-2600BF Series (Bio Gas inline type)



Type	Code 1
IP67 or IP65	10BF
Hazardous-Area Location Enclosure	20Ex
MFM(IP67)	30BM

Input power	Code 8
DC 24 V ±10 %, 200 mA	2
AC 100 ~ 240 V ±10 % (옵션)	3
Agency approved, customer specified	W

Calibration <sup>2,9</sup>	Code 13
70 °F(21 °C) 14.7 psig (1.103 barg)	A
32 °F(0 °C) 1 atm (760 mmHg)	B
Agency approved, customer specified	W

Connection type	Code 2
DIN Flange	D
ANSI Flange	A
JIS Flange	J
Agency approved, customer specified	W

Output	Code 9
RS-485S (RS-232C)	1
Pulse, Alarm	3
DC 4~20 mA, 0~5 V DC	4
Agency approved, customer specified	W

Pressure limit	Code 14
Low pressure Below 43 psig (3 barg)	L
Medium pressure Below 145 psig (10 barg)	M
High pressure Below 435 psig (30 barg)	H (option)

Connection spec <sup>1,3</sup>	Code 3,4,5		
Size	DIN	150 lb	JIS 10k
1" (DN25)	D4	F4	J4
1-1/4" (DN32)	D5	F5	J5
1-1/2" (DN40)	D6	F6	J6
2" (DN50)	D7	F7	J7
2-1/2" (DN65)	D8	F8	J8
3" (DN80)	D9	F9	J9
3-1/2" (DN90)	D10	F10	J10
4" (DN100)	D11	F11	J11
5" (DN125)	D12	F12	J12
6" (DN150)	D13	F13	J13
7" (DN175)	D14	F14	J14
8" (DN200)	D15	F15	J15
10" (DN250)	D16	F16	J16
12" (DN300)	D17	F17	J17
Agency approved, customer specified	W		

Display	Code 10
No Readout	NR
Digital Display	DD
Agency approved, customer specified	W

Option	Code 15
Agency approved, customer specified	W
Mail : sensor tube 316ss, 316Lss	

Flow direction	Code 11
Horizontal Free or Vertical UP	1
Horizontal Free or Vertical Down	2
Agency approved, customer specified	W

Calibration <sup>1,9</sup>	Code 12
Standard Calibration	A
Air, only for 3" and large pipe size	
Compressed Air, only for 3" and large pipe size	D
Customer Calibration	B
Air	
Air equivalency (Digester Gas, Flue, Gas etc.)	C
Nitrogen, Helium, Argon, Carbon Dioxide Compressed Air or Digester Gas	E
Hydrocarbon (Natural Gas, Methane, Ethane, Propane etc.)	F
Hydrogen or Hydrogen Mixture	G
Agency approved, customer specified	W

Enclosure <sup>5</sup>	Code 6,7
Hazardous-Area Location Enclosure	2
Remote Hazardous-Area Location Enclosure(Only with Ex Meter)	3(Ft)
Remote Hazardous-Area Location Enclosure(Only with Junction Box)	4(Ft)
IP67 or IP65	N2
Remote IP67 with Junction Box	N4(Ft)
Agency approved, customer specified	W

**Note**

- 1.Flange is tapped and threaded on the compression fitting
- 2.The male connector is permanently tightened with ferrule of two combined materials
- 3.Flange must be ANSI or DIN specification
- 4.Maximum length is 60-inch(1524mm)
- 5.Enclosure required for agency approvals, T6 rate at 40°C
- 6.Wire resistance must be less than 8 ohms
- 7.Turndown ratio is 100:1 min. & 1000:1 max.
- 8.SFPS is the abbreviation for standard feet per second at 14.7psia(1.01 bar(a) & 70°F (21.1°C)
- 9.Custmoer specified calibration must not exceed temperature & pressure limitations of the 2610BF, 2620Ex Series products specifications







**Golden Rules**

• GOLDEN RULES

[www.goldenrules.co.kr](http://www.goldenrules.co.kr)

**GAS & LIQUID  
Mass & Total flowmeter  
Specialized manufacturer**

**Distributor**

Certified in accordance with

KC Q ISO 9001 : 2015

KC Q ISO 14001 : 2015

 (주)골든룰